

28.08.2018 | Press Release UBX

UBX: The new device series for flow monitoring in cooling circuits.

Everything in flow up down to -50 °C

When it comes to monitoring the liquid flow of low-viscosity media in cooling circuits, the Center of Competence Honsberg of the GHM GROUP offers a new series of flow monitors. The UBX series is designed with a robust metal housing and a guaranteed low-temperature range down to -50 °C for use under extreme conditions.

Longer service life, harsher conditions, more efficiency. The requirements on oil-filled transformers in various areas of applications are increasing: in, for example, wind power plants, cooling plants, CHP heating concepts, the electrical industry and in traction transformers for rolling stock, sufficient cooling must be provided so that uninterrupted operation is guaranteed.

Ice cold – even in extreme conditions

All components of the UBX device series are designed for a guaranteed temperature range down to -50 °C to +125 °C and thus ideal for use in cooling circuits in especially harsh and rough conditions. All of the devices have a robust metal housing with a moulded seal that keeps out dust, moisture and dirt. The hermetic isolation of the flow and function part with a metal folding bellows ensures that no medium can penetrate into the inner chamber. A special segmented paddle offers protection against broken paddles.

Baffle plate principle

Along with the construction, the function must also be designed for the extreme conditions. The UBX flow monitor operates according to the baffle plate principle: The force of the flow, which acts on the baffle plate (paddle) and moves it against the spring force. In the process, the deflection of the baffle transfers to an adjustable microswitch, which is designed for 100,000 switching cycles. The housing fulfils protection rating classes IP65 and IP67 in accordance with DIN EN 60529. Therefore, the UBX is protected against spray water and even temporary submersion. A small but crucial difference in many applications. In addition, the flow monitor fulfils the fire protection requirements of HL 2 (Hazardous Level) of DIN EN 45545-2 and the vibration requirements of DIN EN 61373 for railway vehicles.

The freedom to choose

The UBX series can be adapted easily with various process connections and can be configured freely up to a certain degree: The user also has the freedom to choose the housing material (brass or stainless steel), the baffle plate (scoops or mono-paddle) and the switch contact (gold or silver).

28.08.2018 | Press Release UBX

Measured at the flow – a versatile solution

With the wide temperature spectrum and the robust construction, the flow meters of the UBX series are especially well-suited for use in the cooling circuit of, for example, traction transformers for railway vehicles. Omission of a fault message would be fatal in this application, because it could bring the train to a stop in certain circumstances. Depending on the configuration (sub-floor or roof construction) and region, the flow monitors in this application are exposed to direct environmental influences, such as rain, snow, spray water or even extreme temperatures. The UBX series offers guaranteed functional reliability even in extreme temperature ranges. With the robust housing, which fulfils the requirements of Immunity class IK 09 in accordance with DIN EN 50102, no additional protection against stones is required.

An additional area of application is the monitoring of the cooling circuit of the transformers in wind power plants. In this application, the frequently fluctuating overall load spectrum of the feed currents have the consequence of heavily fluctuating temperatures, which have a negative influence on the transformer service life. Reliable monitoring of the cooling flow is also essential in cooling systems, CHP technologies and the electrical industry in order to always guarantee safe operation.

More possibilities, lower cost

Paddle switches of the proven UBX device series are the first choice when the task at hand is monitoring larger pipe diameters with minimal pressure losses. With careful selection of the materials and the freedom of configuration up to a certain degree, the monitors can be used in a wide temperature range and in many applications and offer a crucial advantage in terms of efficiency: the baffle plate construction is more cost-effective in comparison with other monitoring principles.

Learn more about the devices by visiting www.ghm.group.de/ubx.

28.08.2018 | Press Release UBX

About GHM Messtechnik GmbH

GHM Messtechnik GmbH is a pioneering specialist and complete provider for innovative measuring and regulation technology. With more than 330 employees in 15 locations, the company develops and produces a wide assortment of more than 2000 high-quality device types for all significant areas of industrial sensors and electronics in Germany and Italy.

Created out of the merger between the companies Greisinger, Honsberg, Martens, Imtron, Delta OHM and Val.co, the GHM GROUP presents itself as a traditional company, which follows the vision of the founders and the requirement rigorously to consistently advance measurement and control technology with developments and application-specific solutions with the highest customer usage.

The central focus is the bundling of technological expertise for development of customer-oriented solutions that are appropriate for the market and tailored to the high demands of industry and producing industry. In addition to long-term expertise and state-of-the-art production methods, the GHM GROUP offers competent application consultation and comprehensive customer service, high flexibility even for small part quantities, quick device adaptations and short delivery times. This is all offered at an outstanding price-performance ratio.

Publication free of charge.

Please send a specimen copy to the address below.

Further enquiries | Contact:

Marketing

GHM Messtechnik GmbH | GHM GROUP CORPORATE

Tenter Weg 2-8 | 42897 Remscheid | GERMANY

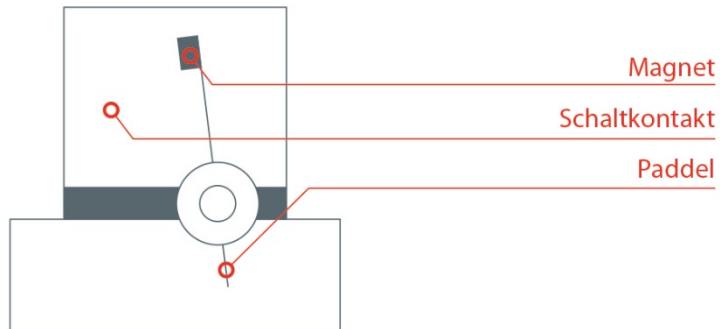
Tel. +49 176 47673088 | E-Mail marketing@ghm-messtechnik.de

www.ghm-group.de

28.08.2018 | Press Release UBX

UBX: The new device series for flow monitoring in cooling circuits.

Prallplattenschalter – Funktionsprinzip



UBX

