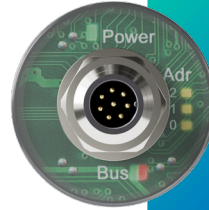


CONDIX4613

DIGITAL CONDUCTIVITY- CONVERTER

CHARACTERISTICS

The digital conductivity converter CONDIX4613 is used for the conductivity measurement of liquids. The integrated digital transmitter submits values and parameters to a master (e.g. PLC, SCADA). The Modbus RTU protocol on RS485 is used for communication. This enables integration into existing networks as well as use with the multichannel controller MULTICON-H. Device parameters and input configuration are adjustable via the interface or SENSware configuration software. Application dependent six different types of temperature compensation are available. The 4-electrode measurement principle with a cell constant of 0.4 1/cm is suitable for a range of applications up to 200 mS/cm . Applications can be found in the water treatment of landfill seeping water, seawater or black water treatment on ships.



www.senseca.com



SMART TECHNOLOGY

- Provides process values, identification data, diagnostic data
- RS485 Interface with MODBUS RTU-protocol



EASY TO SET UP & QUICK TO INSTALL

- Installation with PVC-U standard fittings



ACCURATE & RELIABLE

- Resistant against pollution
- Not influenced by polarisation effect or wire resistive



GREAT FLEXIBILITY

- 6 types of temperature compensation selectable

Technical Data

Power supply

Supply voltage	4.7..28 V DC, max. 60 mA
Conformity	CE

Inputs

Cell constant	C = 0.4 1/cm (exact cell constant labelled on the type plate)
---------------	---

Measuring range

Conductivity	0...20 µS/cm up to 0...200 mS/cm
Temperature	-50..+200°C

Basic accurac

Conductivity	1% of the measuring value
Temperature	0.2 K

Linearization errors

Temperature	0.10%
-------------	-------

Operating temperature	0..+60 °C
-----------------------	-----------

Ambient temperature	-10..60 °C
---------------------	------------

Storage temperature	-10..60°C
---------------------	-----------

Condensation	not allowed
--------------	-------------

Climate classification	EN 60068-2-38
------------------------	---------------

Vibrations	EN 60068-2-6, GL test 2
------------	-------------------------

Process connection	pipe thread DIN ISO 228 (DIN 259; BSP)
--------------------	--

Process pressure	max. -1..16 bar
------------------	-----------------

Material

Process material	PVC-U, casting resin, graphite (electrodes)
------------------	---

Viewing window	Acrylic glass (PMMA)
----------------	----------------------

Electrical connection

Design	8 pole round connector plug
--------	-----------------------------

Materials	brass nickel plated
-----------	---------------------

Interface	RS485, Half-Duplex
-----------	--------------------

Protokoll	MODBUS RTU
-----------	------------

Baud rates	1200, 2400, 4800, 9600, 19200
------------	-------------------------------

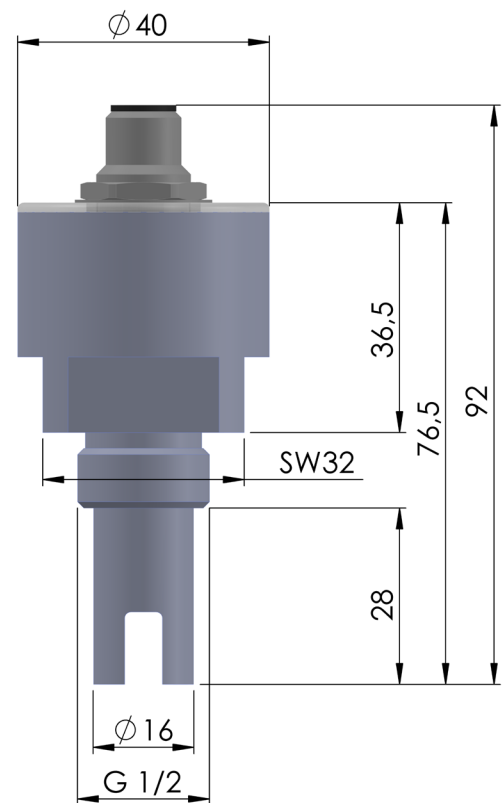
Total weight	ca. 160 g
--------------	-----------

Protection class	IP67
------------------	------

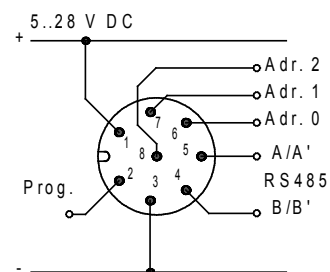
Temperature comp. Selectable	- without temperature compensation
------------------------------	------------------------------------

- linear temperature coefficient
- compensation of natural waters
- ASTM-D1125 ultra-pure water
- NaCl diluted solution
- ASTM-D5391 acidic pure water
- ASTM-D5391 alkaline pure water

Dimensions



Connection diagram



MB-type with RS485, MODBUS RTU interface

PIN	Signal	Cable color ACI113
1	+ Supply voltage	White
2	Programming PIN (normally not connected)	Brown
3	- Supply voltage, Ground (C / C')	Green
4	B / B' Bus	Yellow
5	A / A' Bus	Grey
6	Adr. 0	Pink
7	Adr. 1	Blue
8	Adr. 2	Red (shield)

The addressing of the CONDIX can be realized with a field attachable female connector (see accessories) or in a junction box.

Ordering code

CONDIX

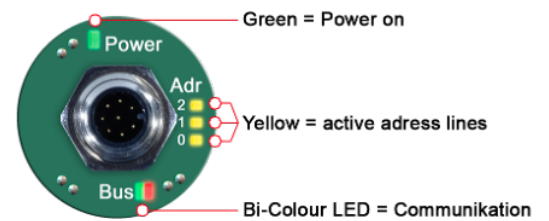
1.		-	2.		-	3.		-	4.		-	5.	
----	--	---	----	--	---	----	--	---	----	--	---	----	--

1.	Model	
	4613	
2.	Cell constant	
	C0.4	
3.	Process connection	
	G ½ A	G ½ A
4.	Interface	
	MB	RS 485, MODBUS RTU
5.	Options	
	00	Without option

Accessories

Art. No.	Type	Description
-	SENSware	Download: www.senseca.com
475291	EYY220	Programming adapter
476332	ACI113-00	Field attachable 8-pole female connector, Belden RKC8/9, Brass nickel plated
476331	ACI113-VA	Field attachable 8-pole female connector, Binder 713, stainless steel
476533	ACI113-002-1-00	8-pole female connector M12 (Brass nickel plated) with shielded cable and wire-end ferrules: 2 m
476116	ACI113-005-1-00	8-pole female connector M12 (Brass nickel plated) with shielded cable and wire-end ferrules: 5 m
476117	ACI113-010-1-00	8-pole female connector M12 (Brass nickel plated) with shielded cable and wire-end ferrules: 10 m
476118	ACI113-025-1-00	8-pole female connector M12 (Brass nickel plated) with shielded cable and wire-end ferrules: 25 m

Optical signaling



Top view CONDIX4613: Optical signalling for supply voltage, bus communication and addressing.