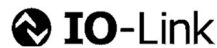


Flow transmitter OMNIPLUS-HD2



- Robust industrial-grade flowmeter
- for use with viscous media (viscosity stabilized)
- High compressive strength (PN 200, optional PN500)
- No inlet and outlet sections required
- One analog output (10V or 20 mA switchable)
- Two switching outputs
- IO-Link interface

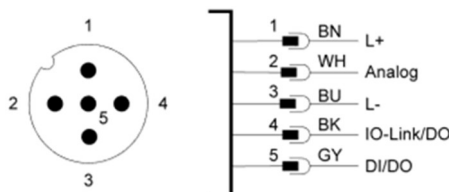
Product description

The flow transmitters of the OMNIPLUS-HD2 series work according to the principle of the spring-supported piston. A magnetically equipped piston is deflected by the flowing medium against the force of a spring. Deflection is a measure of flow rate. The position of the floating body is recorded outside the flow chamber with the help of magnetic field sensors.

The integrated electronics have an LCD display as well as an analog output and two switching outputs and can be easily configured by the user. In addition, it has an IO-Link interface that allows digital communication with the sensor.

Connection diagram

Connector M12 x 1 pin assignment



Specifications

Measuring principle	Spring-supported piston	
Nominal size	DN 8 ... DN 25	
Mechanical connection	Female thread G ¼ ... G 1 (other connections on request)	
Measurement ranges	0.5 ... 60 l/min (see table „Ranges and pressure loss“)	
Measurement uncertainty	±3 % F.S.	
Media	Oils and other viscous media with viscosities in the range of 30 ... 330 mm ² /s	
Pressure loss	1.1 ... 3.5 bar @ Q _{max} (see table)	
Compressive strength	PN 200 (PN 500 on request)	
Media temperature	-20 ... +85 °C optional -20 ... +150 °C (with spacers)	
Storage temperature	-20 ... +80 °C	
Materials (wetted)	<u>Brass version</u>	<u>Stainl. steel version</u>
	CW614N nickelled	1.4571
	CW614N	1.4404
	1.4310	1.4310
	Hard ferrite	Hart ferrite (PTFE coated)
	NBR	FKM
Supply voltage	18 ... 30 V DC	
Current consumption	< 130 mA (SIO mode, unloaded outputs)	
IO-Link specification	IO-Link revision	V1.1
	Bit rate	COM2 (38400 bit/s)
	Minimum cycle time	20 ms
	SIO mode	yes
	Port class	A compatible
	Block parameterization	yes
	Data storage	yes
Analog output	Current:	4 ... 20 mA 0 ... 20 mA
	Voltage:	0 ... 10 V 2 ... 10 V 0 ... 5 V 1 ... 5 V 0.5 ... 4.5 V
Switching outputs	2 transistor outputs push-pull, parameterizable as NPN o.C. Short-circuit and reverse polarity resistant I _{out} = 100 mA max per output	
	Configurable on the device as <ul style="list-style-type: none"> • Limit switch • Frequency output • Pulse output • Signal output for preset counter 	
Display	1.2" graphic LCD (transflective) 128 x 64 pixels backlight white, red on alarm message	
Electr. connection	M12x1 circular connector, 5-pin	
Protection class	IP65 / IP67	
Conformity	CE	

Product information

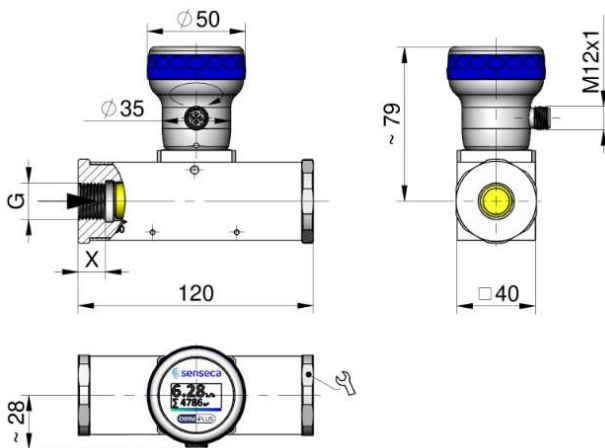
OMNIPLUS-HD2

Ranges and pressure loss

Range l/min	Q _{max} l/min	Pressure loss bar @ Q _{max} Viscosity mm ² /s					Viscosity stability ±8%, min.
		30	60	100	205	330	
0.5 ... 8	12	1.1	1.4	1.6	2.8	3.5	±0.3 l/min
1.5 ... 15	22	2.2	2.3	2.4	2.8	3.5	±0.5 l/min
2.5 ... 25	35	1.9	2.0	2.1	2.3	2.9	±0.8 l/min
6.0 ... 40	60	1.9	2.0	2.1	2.3	2.6	±2.7 l/min
12.0 ... 60	80	2.1	2.3	2.4	2.6	2.8	±3.0 l/min

Dimensions and weights

	Type OMNIPLUS-	G	X mm	AF	Weight appr. kg
Brass	HD2-008GM	G 1/4	15	40	1.6
	HD2-010GM	G 3/8			1.6
	HD2-015GM	G 1/2			1.5
	HD2-020GM	G 3/4	18		1.5
	HD2-025GM	G 1			1.4
Stainless steel	HD2-008GK	G 1/4	15	41	1.6
	HD2-010GK	G 3/8			1.6
	HD2-015GK	G 1/2			1.5
	HD2-020GK	G 3/4	18		1.5
	HD2-025GK	G 1			1.4



Order code

OMNIPLUS-HD2 - 1. 2. 3. 4. 5. 6.
 G

● = standard ○ = option

1. Nominal size	
008	● DN 08
010	● DN 10
015	● DN 15
020	● DN 20
025	● DN 25
2. Mechanical connection	
G	● Female thread
3. Housing material	
M	● Brass
K	● Stainless steel
4. Measurement range	
008	● 0.5 ... 8 l/min
015	● 1.5 ... 15 l/min
025	● 2.5 ... 25 l/min
040	● 6.0 ... 40 l/min
060	● 12.0 ... 60 l/min
5. Option 1	
H	○ Extended temperature range 150 °C (with spacers)
6. Option 2	
T	○ Electronics fully potted, for increased climatic stress (high humidity and/or strongly changing temperatures)

Accessories

Cable with circular connector M12x1 / 5pole (not included)