

Product information

Temperature probe

**Temperature sensor
GTL 264 / 264M
GTL 284 / 284M**

Material

Sensor head : 1.4305
Sensor tip : 1.4404, PEEK

Protection class : IP67 / IP69K
CE conformity : EN 61326-1:2013 / -2-3:2013

Ausführungen

	GTL 264 / 264M	GTL 284 / 284M
Electrical connection	M12-plug, 4-pin (1.4305)	fixed cable 2.5 m, PVC LIYY 281: 4 x 0,25 mm ² 281M: 2 x 0,25 mm ²

Transducer GTML2 (only for GTL 264M / GTL 284M)

Measuring range : -10..+40 °C * / 0..50 °C * / 0..100 °C *
0..150 °C *
or freely in range -20..150 °C *
Power supply : 10..30 V DC
Measuring output : analog, 4..20 mA, 2-wire
Output signal in case of error : < **3.75 mA** > 21.5 mA, selectable *
Filter : integrated low-pass, 4-step *
Response time : < 150 ms (filter 0), < **300 ms (filter 1)**
< 800 ms (filter 2), < 3 s (filter 3)
Working temperature : -40..+70 °C
Measurement accuracy : < 0.2 % FS
Temperature drift : < 0.01 % FS / K

* Programmable via GTL - Configuration tool (accessories)

Note: The default settings are marked in **bold**.



- Hygienic G 1/2" process connection, flush mounted
- Hygienic design and easy-to-sterilize measuring point
- Sensor made of stainless steel and PEEK
- Thermally decoupled

Characteristic

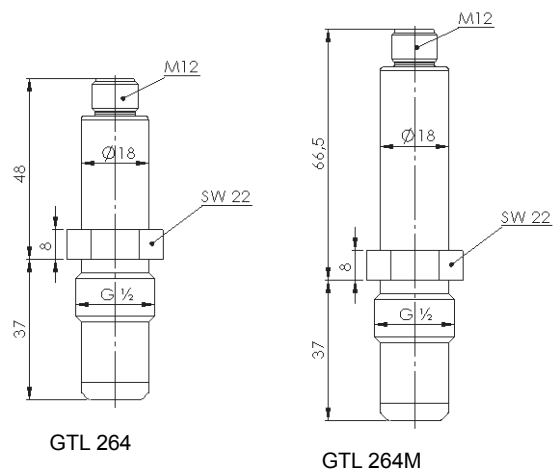
The flush mounted temperature sensors are designed for e.g. temperature monitoring in CIP- / SIP- circuits and temperature measurements in tanks with stirrer or in milk tanks.

The sensors can be provided with different electric connections and with or without integrated head transmitter.

Specifications

Temperature ranges : ambience: -40..+80 °C
sensor tip: -40..+150 °C
CIP- / SIP-temperature: 140 °C < 30 min.
Measuring resistor : Pt100
Accuracy : class A, class AA
Process connection : G 1/2
Tightening torque : 5..10 Nm
Sensor head : Ø 18 mm
Sensor tip : Ø 10 mm
Response time : T₉₀ ≤ 15 s
Ambient pressure : max. 10 bar

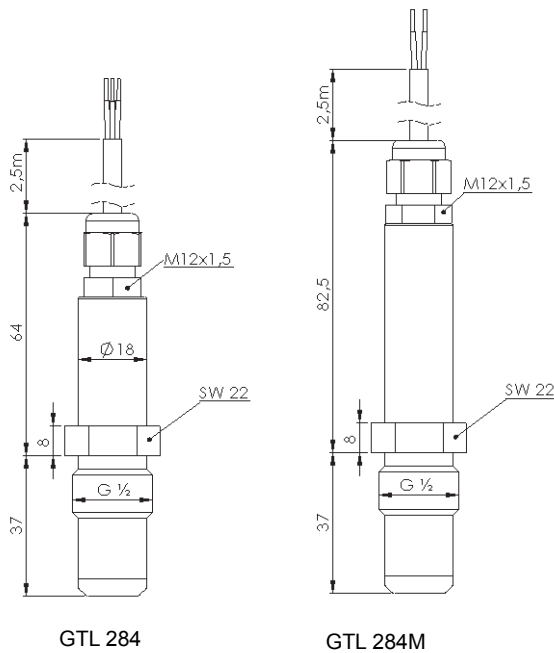
Dimensions



continued on next page

Product information

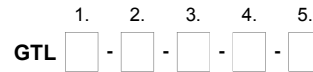
Temperature probe



Option

TK	Design type GTL 284 and GTL 284M with Teflon cable GTL 284: 4 x 0.14 mm ² GTL 284M: 2 x 0.14 mm ² Teflon cable up to 200 °C
----	---

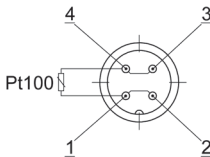
Product key



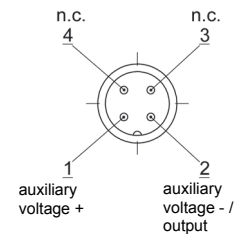
Connection

Design type GTL 264 or GTL 264M:

without transducer (4-wire):

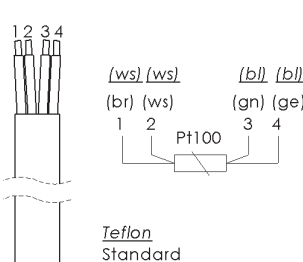


with transducer (2-wire):

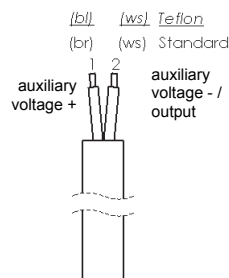


Design type GTL 284 or GTL 284M:

without transducer (4-wire):



with transducer (2-wire):



1. Design type (electric connection)

264	cable connection M12-plug
264M	cable connection M12-plug with integrated transducer
284	fixed cable (PVC) connection 2.5m, without integrated transducer
284M	fixed cable (PVC) connection 2.5m, with integrated transducer

2. Accuracy class

A	class A
D	class AA (1/3 class B)

3. Transducer GTML2 (programmable)

ONLY for design types 264M and 284M	
00	without transducer (design types 264 / 284)
M1	measuring range -10...+40 °C
M2	measuring range 0...50 °C
M3	measuring range 0...100 °C
M4	measuring range 0...150 °C
MB	transducer with special measuring range in °C, max range: -20...+150 °C (state special measuring range separately e.g.: 0...75 °C or -20...+30 °C. Mind the minimum range of 50 °C.)

4. Option

00	without option
H	with spacer (100 mm)
TK	Teflon cable for connection via fixed cable (only available for GTL 284 / 284M)

5. Certificate DIN EN 10204 (indicate only when required, multiple responses possible)

WZ2.2	factory certification 2.2
APZMAT	acceptance test certificate 3.1 for material (in contact with products)
APZ2P	acceptance test certificate 3.1 with 2 measuring points (0°C / 70°C)
APZ3P	acceptance test certificate 3.1 with 3 measuring points (0°C, 70°C + 1 test point freely selectable)