

Product Information

Pressure Transmitter Series SA-11



SA-11-0



SA-11-1



- Measuring range from 0.25..25 bar
- Output signal 0..20 mA, 4..20 mA, 0..10 V DC
- Certified for EHEDG, 3A and FDA
- Max. process temperature -20..150 °C

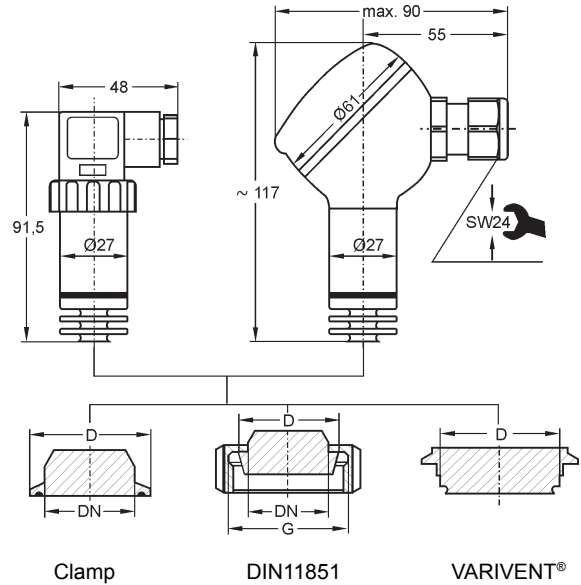
Characteristics

The SA-11 pressure transmitter has been specially designed to meet the requirements of the food, beverage, pharmaceutical and biotechnology industries. With its resistance to chemical cleaning liquids and high temperatures, this transmitter is particularly suited for CIP/SIP cleaning processes. The flush diaphragm is directly welded to the process connection, thus ensuring a gap-free connection and eliminating the need for additional sealing gaskets. The SA-11 pressure transmitter meets the high requirements of sterile engineering processes and is certified in accordance with the 3-A Sanitary Standards and the EHEDG.

Technical data

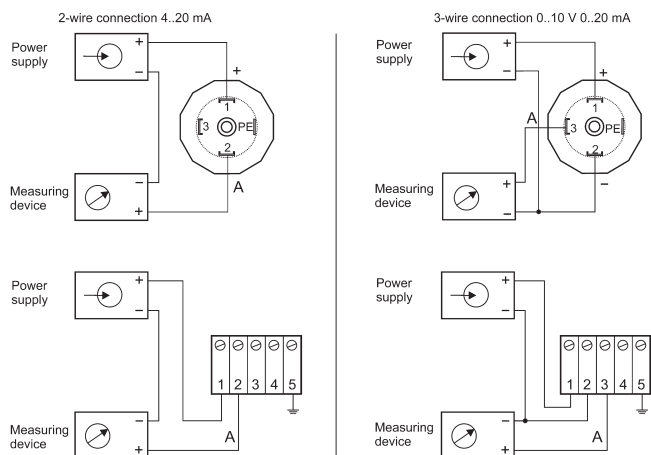
Power supply	
Supply voltage	: 10/(14)..30 V DC
Process temperature	: -20..+150 °C
Ambient temperature	: -20..+80 °C
CE-conformity	: EN 61326-1:2013; EN 61326-2-3:2013
Certification	: EHEDG, A3, FDA conform
Output	
Current	: 0..20 mA, 3-wire; 4..20 mA, 2-wire
Max. burden R_A	: 2-wire, $R_A \leq (U+ -10 V) \div 0.02 A [\Omega]$ 3-wire, $R_A \leq (U+ -3 V) \div 0.02 A [\Omega]$
Voltage	: 0..10 V DC, 3-wire
Max. burden R_A	: >10 k Ω
Accuracy	: 0.5 %
Material	
Process connection	: stainless-steel 1.4435
Surface roughness	: $R_a < 0.4 \mu m$
Case	: stainless-steel 1.4571
System fill fluid	: synthetic oil, FDA approved
Membrane	: gap free connection, free of dead spaces
Electrical connection	: field case (IP68) or L-connector acc. to EN 175301-803/A (IP65)

Dimensions



Process connection	DN [mm/inch]	D [mm]	G
Tri-Clamp	1 1/2" 2"	50 64	
Clamp	DIN32676	DN32 DN40 DN50	50 50 64
Female union nut	DIN11851	DN25 DN40 DN50	Rd52x1/6 Rd65x1/6 Rd78x1/6
VARIVENT®	Form F Form N	DN25/32 DN50/DN50	50 68

Connection diagram



Continue next page

Product Information

Ordering code

1. 2. 3. 4. 5.
 SA-11 - - - - -

1. Electrical connection	
0	L-connector EN175301-803/A, IP65
1	field case, IP68
2. Output	
0	0..10 V 3-wire
1	0..20 mA 3-wire
2	4..20 mA 2-wire
3. Process connection	
TC15	Tri-Clamp 1 1/2"
TC20	Tri-Clamp 2"
NM25	female union nut DN25
NM40	female union nut DN40
NM50	female union nut DN50
CL25	Clamp DN25
CL32	Clamp DN32
CL40	Clamp DN40
CL50	Clamp DN50
WV25	VARIVENT® Form F
WV40	VARIVENT® Form N
4. Options	
00	without option
5. Measuring range [bar]	
0.25/ 0.4/ 0.6/ 1/ 2.5/ 4/ 6/ 10/ 16/ 25 -1..0/ -1..1/ -1..2/ -1..4/ -1..10	