

Product Information

Pressure Converter UNICON®-P-PA



PROFIBUS

- Programming via front side keypad
- For dry and non aggressive gases
- Measuring range programmable
- Profibus PA

Characteristics

Pressure converters UNICON-P can be used for measuring low pressure, differential pressure in filter- and clean room technologies. In connection with orifice plates, impact (dynamic) pressure, venturi nozzle it is suitable for measurement of flow rates of dry and non aggressive gases. The model for wet media (condensate-stability; measuring ranges 30-60) is designed only for relative pressure. Within the device dependent full scale range, output and display may be adjusted. The device offers additional features like a unidirectional (e.g. 0..1 mbar) or bidirectional (e.g. -1..1 mbar) pressure range. The analogue output depends to the programmed analog output.

Technical data

Power supply Profibus-PA acc. IEC 61158-2
Bus voltage : 9..32 V DC
Current consumption : max. 12 mA
Operating temp. : 0..50 °C or
 -15..+65 °C condensate-stability device
Storage temperature : -20..+80°C
CE-conformity : EN 61326-1:2013

Input
Process connection
Standard device : 2 pressure tubes for 4 mm hose (standard) or 4 and 6 mm Schott glands available
Condensate-stability device : 1 Schott gland, 4 or 6 mm
Process medium : see table Measurement / process media
Measuring principle : Piezoelectric
Conversion rate : 2 / s
The accuracy depends to the selected device measuring range, Tk and zero unbalance
Standard device : ± 0.25 % ± 1 Digit
Condensate-stability device : ± 0.5 % ± 1 Digit

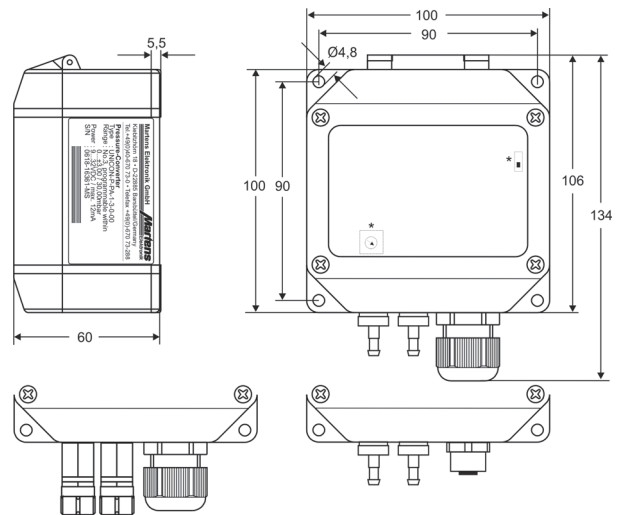
Display : LCD dot-matrix, 2 lines each 16 characters
Indicating range : -9999(9)..9999(9) digit depends to the programmed unit

Case : field case
Material : polyamide with fiber-glass
 PA6-GF/GK 15/15, front foil polyester
Dimensions : 100 x 100 x 60 mm (HxWxD)
Weight : max. 360 g
Connection : screw terminal with pressure plate, 2,5 mm² flexible, 4 mm² wire or 4 pole plug M12
Protection class : IP65, terminals IP20 acc. to BGV A3

Measurement / process media

	Standard-device	condensate stability device
Measurement	Pressure relative, absolute, difference pressure ratio / linear	Pressure relative
Process material	Silicon, Nylon, ceramic, Gold	Silicon, Polythermid, Polypropylene, Polyurethane
Media compatibility	Dry, non aggressive gases	Water, alcohol, alkaline cleaning supplies, low acids, and many similar gases
Non media compatibility	All others	Carbon hydride (oil, petrol...), high concentrated acids, depended cleaning supplies

Dimensions



Process port
6mm Schott glands

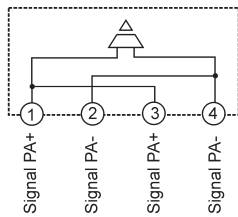
Process port
4 mm tubes

The condensate-stability device provides only 1 process port with 4 or 6 mm Schott glands.

Product Information

Connection diagrams

Terminals intern



M12 plug



1: Signal PA+
 2: n.c.
 3: Signal PA-
 4: n.c.

Ordering code

UNICON-P-PA - 1. - 2. - 3. - 4.

1. Measuring range [mbar] (max. static over pressure)		
Standard		
1	±3 rel.	(200)
2	±10 rel.	(200)
3	±30 rel.	(300)
4	±100 rel.	(600)
5	±300 rel.	(1000)
6	±1000 rel.	(3000)
9	+2000 abs.	(4000)
Device for wet media (condensate-stability)		
30	±50 rel.	(1400)
40	±100 rel.	(1400)
50	±300 rel.	(1400)
60	-700..+1000 rel.	(3000)
2. Electrical connection		
1	4 screw terminals inside, via M20 cable gland	
2	4 pole M12 plug	
3. Process port		
0	4 mm tube (only standard device)	
2	4 mm Schott glands	
3	6 mm Schott glands	
4. Options		
00	without option	
11*	extended burst pressure (max. 3 bar) only MR 1-4	

* not for wet media