

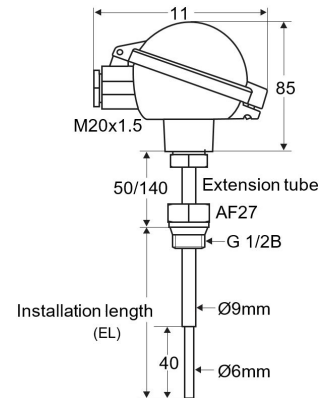
Product Information

Temperature

**Safety Thermocouple
 Sensor TC296**



Dimensions



Ordering code

1. 2. 3. 4. 5. 6. 7. 8. 9.
 - - - - - - - - -

Characteristics

- Fast response sensor for measurement in water, oil and air
- Certified as Sensor for Safety Temperature Limiters STL50 (exhaust gas excluded), acc. to DIN EN 14597 (substitute DIN 3440)
- Ex certified to ATEX Ex-i GD for gases and dust
- Sensor with 2 x thermocouples J, K or N, isolated and replaceable
- Max. operating temperature depends to the thermocouple
- Process pressure 40 bar
- Protection tube D = 9/6mm, Inconel 600 W-No. 2.4816
- Process connection G 1/2 B
- Terminal head BSZ (Aluminum) IP65 with snap-lid

Temperature equalization

The 63.2 % step-response time of temperature variation at the probe tip will be:

| | |
|---------------|---------------|
| Medium | T63.2% |
| Water | typical 20 s |
| Oil | typical 30 s |
| Air | typical 85 s |

| | | |
|--------------------------------------|------------------------------|---|
| 1. Type | TC296 | |
| 2. Variation | 00 | Standard |
| | Ex | Ex certified acc. to ATEX Ex-i GD |
| 3. Double-thermocouple | | |
| | 2J | type J (Fe-CuNi) operating temperature -100..+600 °C cable color black(+), white(-) |
| | 2K | type K (NiCr-Ni) operating temperature -100..+900 °C cable color green(+), white(-) |
| | 2N | type N (NiCrSi-NiSi) operating temperature -100..+1000 °C cable color pink(+), white(-) |
| 4. Protection tube diameter | 9/6 | 9mm to 6mm reduced |
| 5. Neck pipe length | 50 | 50 mm |
| | 140 | 140 mm |
| | XX | custom neck pipe |
| 6. Installation length (EL) | | |
| | 100 | 100 mm |
| | 160 | 160 mm |
| | 250 | 250 mm |
| | 400 | 400 mm |
| | 600 | 600 mm |
| | XX | custom length |
| 7. Process connection | G 1/2 B | |
| 8. Terminal head | BSZ with snap-lid (Aluminum) | |
| 9. Max. operating temperature | see Thermocouple | |

(Custom variation on request)