

Product information

Conductive Point Level Sensor with Pt100 Sensor SLT430-3



- Passive point level and temperature measurement
- 4 point levels with 1x integrated RTD
- Process connection GHMadapt G1" hygienic
- Round case stainless steel type Ø 59 mm
- No moving parts in the medium
- Without electronic
- Electrode E2 cannot be shortened afterwards

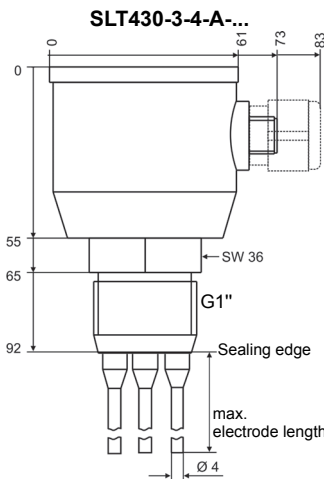
Technical data

Number of electrodes : 1..4
 Electrode length : 15..1000 mm
 Temperature sensor : Pt100 class A
 Process temperature : -20..+120 °C, 140 °C < 30 min
 CIP-/SIP-capable
 Ambient temperature : -20..+80 °C
 Process pressure : -1..+10 bar
 Process material : 1.4404, PEEK
 FDA food safe
 conform regulation 1935/2004 & 10/2011

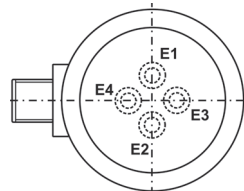
Process connection : G1" hygienic
 Stud torque : 10..20 Nm
 Case : round case stainless steel type Ø 59 mm
 Material : 1.4305
 Electrical connection : M12 plug or cable gland M16x1.5
 Polyamide (PA) or stainless steel type 1.4305

Protection class : IP67 / IP69K
 CE-conformity : EN 50581:2012

Dimensions



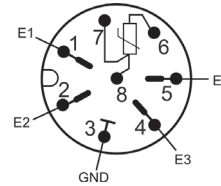
Electrode position



E2 = Rod with integr. Pt100 Sensor
Note:
 Electrode cannot be shortened afterwards.

Connection diagram

M12 plug, 8-pin

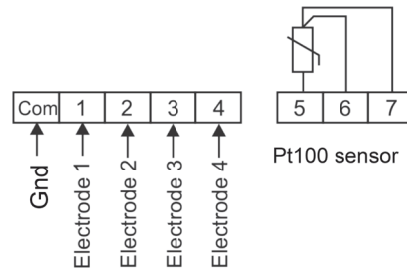


E1-E4 = Electrodes

Cable colours:

1 = white, 2 = brown, 4 = yellow, 5 = grey : electrodes
 3 = green : ground
 6 = pink, 7 = blue, 8 = red : Pt100 sensor

Internal terminal



Order code

SLT430 - 1. - 2. - 3. - 4. - 5. - 6. - 7. - 8.

1. Process connection	
3	G1" hygienic
2. Number of electrodes	
1	1 electrode
2	2 electrodes
3	3 electrodes
4	4 electrodes
3. Electrode type	
A	rod
4. Electrode length [mm]	
0200	200
0500	500
1000	1000
xxx	special length on request
5. Electrode surface	
0	uncoated (standard)
6. Electrical connection	
0	M12 plug
1	cable gland Polyamide (PA) M16x1.5
2	cable gland stainless steel (1.4305) M16x1.5
7. Options	
00	without option
8. Certificate DIN EN 10204, indicate only when required	
WZ2.2	factory certification 2.2
Accessories	
AMD100	Spacer for multi-rod sensors
ACH113	8-pole hygienic connection cable, straight
ACH123	8-pole hygienic connection cable, angular