

Product Information

Conductive Point Level Switch MLR430-2



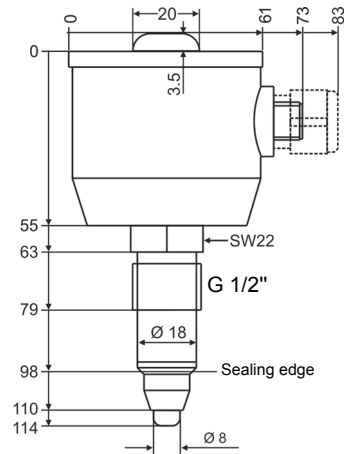
- 1 point level with 3 switch outputs, freely configurable
- Process connection GHMadapt G $\frac{1}{2}$ " hygienic
- Round case, stainless steel type \varnothing 59 mm
- Flexible mounting: compact version
- No moving parts in the medium
- Sensitivity programmable
- Parameter programmable with GHMware via USB interface
- Isolation between sensor system, case / supply, output
- Wide range LED indicator

Technical data

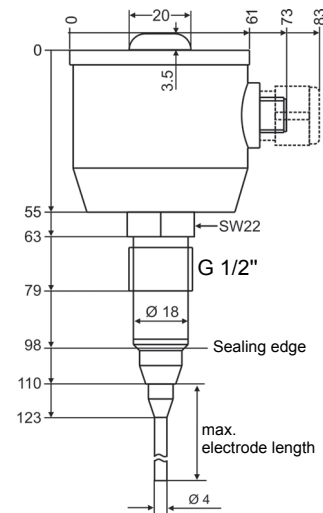
Compact version	
Supply voltage	: 18..30 V DC
Power consumption	: < 3 VA
CE-conformity	: EN 61326-1:2013
Ambient conditions	
Ambient temperature	: -20..+70 °C
Climatic class	: EN 60068-2-38:2009
Vibration class	: EN 60068-2-6:2008, GL Test 2
Certifications	
EHEDG certificate no.	: 28/2011
Input	: 1
Response time	: 0.05..10 s, programmable
Output	: NO / NC programmable
3 x Electronic	: transistor PNP, max. 30 V DC / 100 mA
Electrical connection	: M12 plug or cable gland M16x1.5 polyamide (PA) or stainless steel type 1.4305
Isolation	: sensor system, case / supply, output
LED indicator	: red/green programmable
Case	: round case, stainless steel type \varnothing 59 mm
Material	: 1.4305
LED-cap	: Acrylic glass (PMMA)
Protection class	: IP67 / IP69K
Electrode	: 1
Electrode length	: 4..5000 mm
Process temperature	: -20..+100 °C, 140 °C < 30 min CIP-/SIP-capable
Process pressure	: -1..+10 bar
Min. media conductance	: > 2 μ S
Process material	: 1.4404, PEEK, PFA-coated, FDA conform food safe according to EHEDG conform regulation EC1935/2004 & 10/2011
Process connection	: G $\frac{1}{2}$ " hygienic
Stud torque	: 5..10 Nm

Dimensions

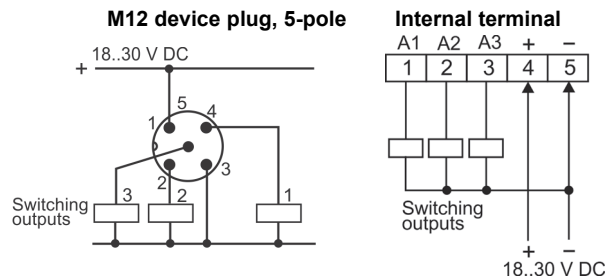
MLR430-2-1-A-0000-...



MLR430-2-1-A-...



Connection diagrams



Cable colors: 1 = brown, 2 = white, 3 = blue, 4 = black, 5 = grey

Product Information

Order code

MLR430 - 1. - 2. - 3. - 4. - 5. - 6. - 7. - 8.

1. Process connection	
2	G½" hygienic
2. Number of electrodes	
1	1 electrode
3. Electrode type (rod or cable)	
A	rod
4. Electrode length [mm]	
0000	stub rod
0200	200
0500	500
1000	1000
1500	1500
2000	2000
2500	2500
3000	3000
3500	3500
4000	4000
4500	4500
5000	5000
XXXX	customized length (on request)
5. Electrode surface	
0	uncoated (standard)
1	0200 PFA, black coated
	0500 PFA, black coated
	1000 PFA, black coated
	1500 PFA, black coated
	2000 PFA, black coated
	customized length (on request)
6. Electrical connection	
0	M12 plug
1	cable gland, plastic (PA) M16x1.5
2	cable gland, stainless steel type (1.4305) M16x1.5
7. Options	
00	without option
8. Certificate DIN EN 10204, indicate only when required	
WZ2.2	factory certification 2.2

Accessories	
ACI211	USB programming cable for MLx43x