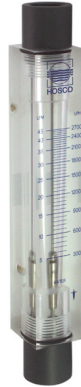


Product Information

**Flow Meter
UK-048**



- Frontal scale imprint
- Dual scale l/min and l/h

Characteristics

A float moves in a transparent conical measurement tube, relative to the flow. The position of the float depends on the volume flow (weight force versus resistance to flow), and indicates the flow rate on the scaled measurement tube.

Technical data

Switch	without	
Nominal width	DN 20	
Process connection	female thread 3/4" NPT	
Metering range	5..2200 l/min	for details see table "Ranges"
Q_{max.}	to 2500 l/min	
Tolerance	±3 % of full scale value	
Pressure resistance	PN 6 bar	
Medium temperature	-20..+65 °C	
Ambient temperature	-20..+65 °C	
Media	water, gases	
Electrical data	none	
Materials medium-contact	acrylic, aluminium, 1.4305, PVC, NBR	
Non-medium-contact materials	acrylic, PVC, CW614N	
Weight	0.35 kg	
Installation location	vertical inwards flow from below	

Ranges

Medium water

The details in the table correspond to a vertical inwards flow from below.

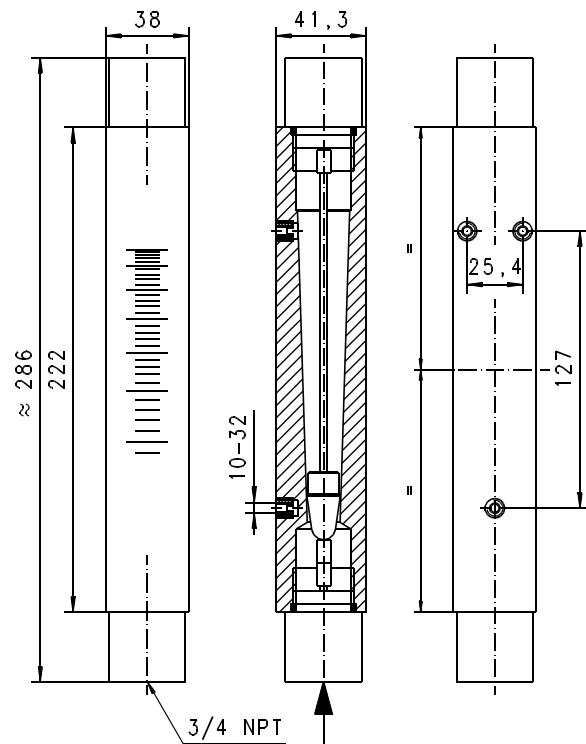
Metering range		Q _{max.} recommended	Type
l/min	l/h		
5 - 45	300 - 2700	55 l/min	UK-048GHW0045
6 - 60	360 - 3600	75 l/min	UK-048GHW0060
8 - 70	480 - 4200	85 l/min	UK-048GHW0070

Medium air

The details in the table correspond to a vertical inwards flow from below, with the medium at a temperature of 0 °C and a pre-pressure of 1.013 bar.

Metering range		Q _{max.} recommended	Type
NI/min	NI/h		
150 - 1400	9000 - 84000	1700 NI/min	UK-048GHL0140
200 - 1800	12000 - 108000	2100 NI/min	UK-048GHL0180
200 - 2200	12000 - 132000	2500 NI/min	UK-048GHL0220

Dimensions



Product Information

Handling and operation

- Include straight calming section of 5 x DN in inlet and outlet
- If the media are dirty, install a filter

Ordering code

UK - 1. 2. 3. 4.
 UK -

1. Series		
048	048, 3/4" NPT	
2. Process connection		
G	female thread	
3. Connection material		
H	PVC	
4. Display range H₂O for vertical inwards flow		
W0045	5 - 45 l/min	300 - 2700 l/h
W0060	6 - 60 l/min	360 - 3600 l/h
W0070	8 - 70 l/min	480 - 4200 l/h
Display range air (0 °C 1.013 bar abs.) for vertical inwards flow		
L0140	150 - 1400 NI/min	9000 - 84000 NI/h
L0180	200 - 1800 NI/min	12000 - 108000 NI/h
L0220	200 - 2200 NI/min	12000 - 132000 NI/h

Options

- Metering ranges and special scales under defined operating pressures / temperatures

Ordering information

- Specify direction of flow, medium, and display range.
- For gases, state pressure (relative or absolute), temperature and medium (e.g. air) (request display range)