

Product information

Flow switch VD-...FK



- Highly reproducible
- Insensitive to dirt
- DIN flange housing
- Precise setting of the switching valve by means of a 180° scale / setting diagram

Characteristics

Mechanical flow switch, for fluid media, with no-contact triggering of an adjustable Reed contact. Robust construction in stainless steel material.

Technical data

Switch	Reed switch	
Nominal width	DN 15..150	
Process connection	flange	
Adjustment range	2 ..950 l/min	For details see table "Ranges"
Q _{max.}	up to 2000 l/min	
Hysteresis	Depending on the switching value, minimum 0.3 l/min	
Tolerance	±5 % of full scale value	
Pressure resistance	PN 40 bar	
Medium temperature	-20..+120 °C	
Ambient temperature	-20..+70 °C	
Media	Water, oils (gases and aggressive media available on request)	
Wiring	Transformer No. 0.213	
Switching voltage	Max. 175 V DC / 120 V AC	
Switching current	Max. 0.25 A DC / 0.18 A AC	
Switch performance	Max. 5 W / VA	
Protection class	2 - Safety insulation	
Ingress protection	IP 44	
Connection	Plug DIN 43650-A / ISO 4400	
Materials medium-contact	1.4408, Stainless steel, 1.4571, POM, 1.4310, 1.4571, Viton, Klingerit, hard ferrite	

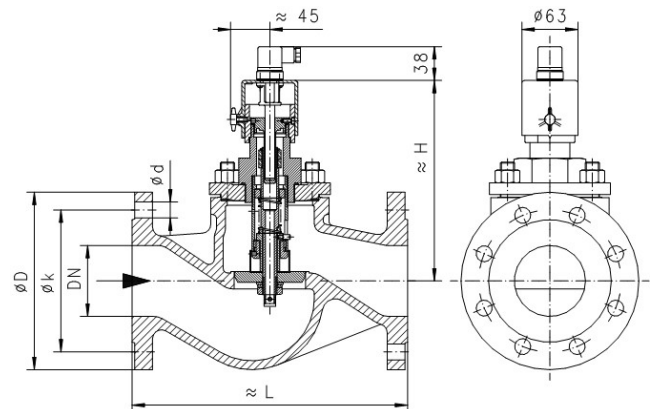
Non-medium-contact materials	ABS
Weight	see table "Dimensions and weights"
Installation location	Standard: horizontal inwards flow; switching head not recommended underneath; other installation positions are possible; the installation position affects the switching point and range.

Ranges

Details in the table correspond to horizontal inwards flow with decreasing flow rate.

Type	Nominal width	Adjustment range		Q _{max.} recommended	
		l/min H ₂ O			
VD-015FK...	DN 15	2 - 8	4 - 20	20	30
VD-020FK...	DN 20	4 - 20	10 - 40	40	55
VD-025FK...	DN 25	10 - 40	20 - 60	60	80
VD-032FK...	DN 32	20 - 60	30 - 100	100	135
VD-040FK...	DN 40	30 - 100	50 - 200	150	270
VD-050FK...	DN 50	50 - 200	100 - 250	270	340
VD-065FK...	DN 65	100 - 250	150 - 300	400	
VD-080FK...	DN 80	150 - 300	300 - 450	600	
VD-100FK...	DN 100	200 - 400	350 - 500	950	
VD-150FK...	DN 150	600 - 750	700 - 950	2000	

Dimensions and weights



Overall length DIN 3202, range F1
Flange DIN 2545 PN 40
Flange size DIN 2501 PN 40
Sealing bar DIN 2526 form C

Types	H mm	L mm	D mm	k mm	d mm	Weight kg
VD-015FK...	180	130	95	65	4x14	3.3
VD-020FK...	180	150	105	75	4x14	5.4
VD-025FK...	190	160	115	85	4x14	5.8
VD-032FK...	190	180	140	100	4x18	7.2
VD-040FK...	210	200	150	110	4x18	8.8
VD-050FK...	220	230	165	125	4x18	10.4
VD-065FK...	230	290	185	145	8x18	16.5
VD-080FK...	240	310	200	160	8x18	19.7
VD-100FK...	260	350	235	190	8x22	26.0
VD-150FK...	330	480	300	250	8x26	57.0

