

Product Information

VF- / VFR-008GM / K

**Flow Indicator / Switch
VF**



- Optionally switching contact

Characteristics

Mechanical flow indicator, which provides a quantitative flow display for fluid or gaseous media.

Technical data

Flow indicator VF

Nominal width	DN 8	
Process connection	female thread G 1/4	
Display range	0.005..5 l/min	for details see table "Ranges"
Q_{max.}	5 l/min	
Tolerance	±10 % of full scale value	
Pressure resistance	PN 16 bar	
Media temperature	-20..+100 °C	
Ambient temperature	-20..+70 °C	
Media	water (oils to 46 mm ² /s, gases and aggressive media available on request)	
Materials medium-contact	<i>Brass construction:</i> CW614N nickelled, Duran 50, 1.4571, hard ferrite, NBR	<i>Stainless steel construction:</i> 1.4571, Duran 50, hard ferrite, FKM
Non-medium-contact materials	anodised aluminium	
Weight	0.14 kg	
Installation location	Standard: Vertical inwards flow from below; other installation positions are possible; the installation position affects the switching point and range.	

Switching contact VFR

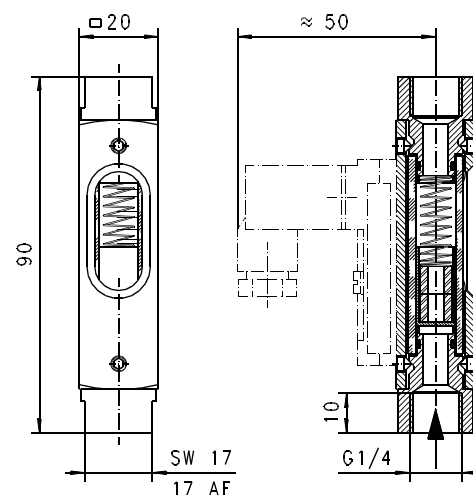
Switch	reed switch
Process connection	female thread G 1/4
Switching range	0.005..5 l/min, for details see "Ranges"
Tolerance	±10 % of full scale value
Ambient temperature	-20..+70 °C
Wiring	normally open (n.o.) no. 0.372
Switching voltage	max. 140 V AC
Switching current	Max. 0,7 A
Switching capacity	max. 20 VA
Protection class	2 - safety insulation
Ingress protection	IP 65
Electrical connection	DIN 43650-C plug
Non-medium-contact materials	PBT, PA, NBR, nickelled brass, stainless steel
Weight	0.02 kg

Ranges

For switching ranges, the details in the table correspond to horizontal inwards flow and decreasing flow rate; for display ranges they correspond to horizontal inwards flow and increasing flow rate.

Display/switching range H ₂ O	Q _{max.} recommended	Types
5.0 - 60.0 ml/min	60.0 ml/min	VF.-008G.006
25.0 - 130.0 ml/min	130.0 ml/min	VF.-008G.013
0.1 - 0.6 l/min	0.6 l/min	VF.-008G.060
0.5 - 3.0 l/min	3.0 l/min	VF.-008G.300
1.0 - 5.0 l/min	5.0 l/min	VF.-008G.500

Dimensions



Product Information

Handling and operation

- Include straight calming section of 5 x DN in inlet and outlet.
- If the media are dirty, install a filter (use magnetic filter for ferritic components).
- It must be ensured that the values given for voltage, current, and power are not exceeded.
- When switch on, a load must be connected in series.
- The electrical details apply to ohmic loads. Capacitive, inductive and lamp loads must be operated using a protective circuit.

Ordering code

1. 2. 3. 4. 5.
 -

1. Types	
VF	flow indicator
VFR	flow indicator with switching contact
2. Nominal width	
008	DN 8 - G 1/4
3. Process connection	
G	female thread
4. Connection material	
M	brass
K	stainless steel
5. Display / switching range H₂O for vertical inwards flow	
006	5.0 - 60.0 ml/min
013	25.0 - 130.0 ml/min
060	0.1 - 0.6 l/min
300	0.5 - 3.0 l/min
500	1.0 - 5.0 l/min

Options

- Display and switching ranges for oil or gas
- Special values
- Scale 0..100 %
- Types VFR - switching head with changeover
- Model for air

Ordering information

- Specify direction of flow, medium, and display range.
- For oils. State viscosity, temperature and designation (e.g. ISO VG 68) (enquire about display range).
- For gases, state pressure (relative or absolute), temperature and medium (e.g. air) (request display range)