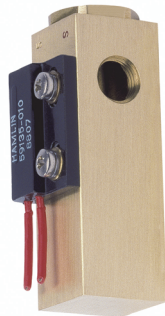
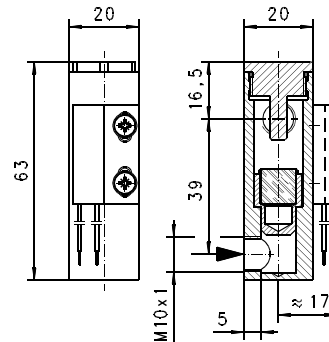


Product Information

Flow Switch MF-007



Dimensions




- **Monitoring of small flows**

Characteristics

Mechanical flow switch for water, with magnetic triggering of a reed switch. Robust construction in brass.

Technical data

Switch	reed switch
Nominal width	DN 7
Process connection	female thread M10x1 (further process connections available on request)
Switching value	selectable between 0.05..1 l/min H ₂ O The switching value is suitable for vertical decreasing flows from below.
Q_{max.}	2 l/min
Tolerance	±15 % of full scale value
Pressure resistance	PN 6 bar
Media temperature	-20..+80 °C
Ambient temperature	-20..+70 °C
Media	water
Wiring	normally opened (n.o.) no. 0.453 
Switching voltage	max. 120 V AC
Switching current	max. 0.5 A
Switching capacity	max. 10 VA
Protection class	2 - safety insulation
Ingress protection	IP 65
Electrical connection	2 wires 300 mm
Materials medium-contact	CW614N, hard ferrite, NBR
Non-medium-contact materials	PTFE, CW614N nickelled, 1.4305
Weight	0.06 kg
Installation location	vertical inwards flow from below.

Handling and operation

- Include straight calming section of 5 x DN in inlet and outlet
- Include a filter if the media are dirty (use magnetic filter for ferritic components).
- It must be ensured that the values given for voltage, current, and power are not exceeded.
- When switch on, a load must be connected in series.
- The electrical details apply to ohmic loads.
Capacitive, inductive and lamp loads must be operated using a protective circuit.

Ordering code

1. 2. 3.
MF - 007 G M

1. Nominal width	007	DN 7 - M10x1
2. Process connection	G	female thread
3. Connection material	M	brass

Ordering information

- Specify direction of flow, medium, and switching value.