

Product Information

FW3-008GM

Flow Switch FW3



- Compact construction
- Insensitive to dirt

Characteristics

Mechanical flow switch, for fluid media, with spring-supported piston and magnetic triggering of a reed switch. Robust construction in brass.

Technical data

Switch	reed switch	
Nominal width	DN 8	
Process connection	female thread G 1/4 (further process connections available on request)	
Adjustment range	0.4..2.5 l/min	for details see table "Ranges"
Pressure loss	up to 1.9 bar at Q _{max.}	
Q_{max.}	2.5..6 /min	
Tolerance	±10 % of the full scale value, minimum 0.3 l/min	
Pressure resistance	PN 100 bar	
Media temperature	-20..+90 °C	
Ambient temperature	-20..+70 °C	
Media	water (oils available on request)	
Wiring	normally open (n.o.) No. 0.378	
Switching voltage	max. 230 V AC	
Switching current	max. 0.5 A	
Switching capacity	max. 50 VA	
Protection class	2 - safety insulation	
Ingress protection	IP 67	
Electrical connection	for round plug connector M12x1	
Materials medium-contact	<i>Brass construction:</i> CW614N nickelled, POM, 1.4310, hard ferrite	<i>Stainless steel construction:</i> 1.4305, POM, 1.4310, hard ferrite
Non-medium-contact materials	PC, 1,4301, 1.4305	
Weight	0.25 kg	
Installation location	Standard: horizontal inwards flow; other installation positions are possible; the installation position affects the switching point.	

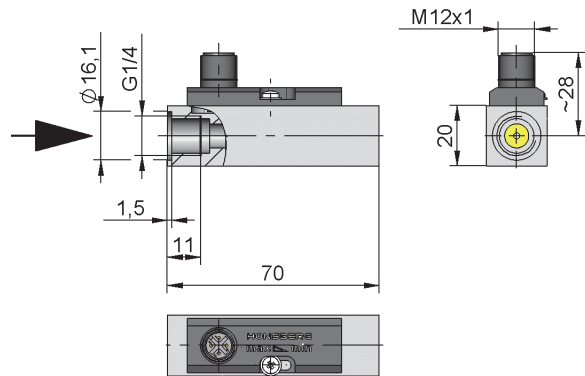
Ranges

Details in the table correspond to horizontal inwards flow with decreasing flow rate.

Switching value l/min H ₂ O Choose between	Q _{max.} recommended	Pressure loss bar at Q _{max.} H ₂ O
0.4 - 0.6	2.5	1.3
0.7 - 1.4	4.0	1.0
1.5 - 2.5	6.0	1.9

Special ranges are available.

Dimensions



Product Information

FW3-008GM

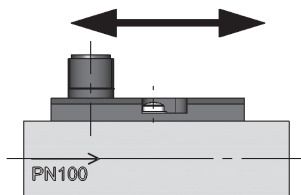
Handling and Operation

Note

- Include straight calming section of 5 x DN in inlet and outlet
- If the media are dirty, install a filter (use magnetic filter for ferritic components).
- It must be ensured that the values given for voltage, current, and power are not exceeded.
- When switch on, a load must be connected in series.
- The electrical details apply to ohmic loads. Capacitive, inductive and lamp loads must be operated using a protective circuit.

Adjustment

As delivered, the device has been set up; if readjustment is required, loosen the screw slightly, twist the switching head to the desired position, and then retighten the screw.



Ordering code

1. 2. 3. 4.
FW3 -

○=program option

1. Nominal width		
008	DN 8 - G 1/4	
2. Process connection		
G	female thread	
3. Connection material		
M	brass	
K	<input type="radio"/> stainless steel	
4. Switching value selectable in the range for H₂O for horizontal inwards flow (specify switching value when ordering)		
006	0.4 - 0.6 l/min	
014	0.7 - 1.4 l/min	
025	1.5 - 2.5 l/min	

Options

- Switching value for oil
- Special values
- Cable outlet 3 m

Ordering information

- Specify direction of flow, medium, and switching range.
- For oils. State viscosity, temperature and designation (e.g. ISO VG 68) (enquire about switching range).