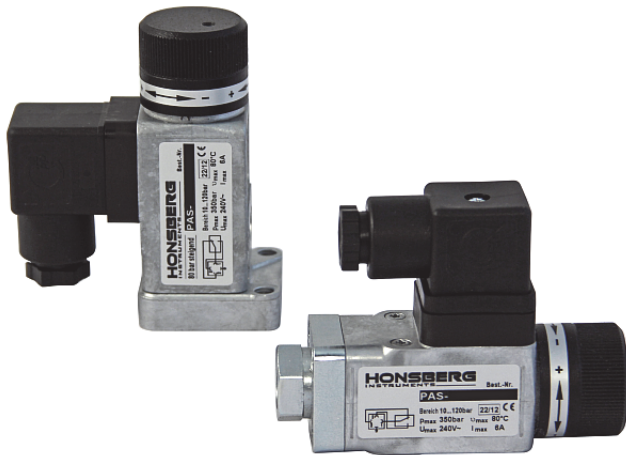


Product information

Pressure switch PAS



- Repeatability
- Adjustable switch point
- Change over contact
- Plug DIN 43650-A / ISO 4400

Characteristics

Mechanical pressure switch in which a piston is pre-tensioned by a spring. An adjustment knob permits the setting of the switch point. The setting can be fixed with hexagon socket screw.

Technical Data

| | | |
|----------------------------|--|--|
| Switch | Mechanical switch | |
| Connection type | Male thread | G ¹ / ₄ B rotatable Rc ¹ / ₄ , rotatable G ¹ / ₄ , rotatable with seal ring M10x1 rotatable ¼ NPT, rotatable 7/16 UNF, rotatable R ¹ / ₄ , rotatable |
| | Female thread | G ¹ / ₄ B rotatable Rc ¹ / ₄ , rotatable |
| | Flange | Vertical flange to DIN ISO 16873 |
| Switching range | 10..320 bar see table "Ranges" | |
| Hysteresis | Reference point: 5 bar, +5...10 % from switch value, not adjustable | |
| Tolerance | Max. ± 2 % obtained to range value at +20 °C | |
| Pressure resistance | PS 350 bar | |
| Media temperature | Seal: | |
| | NBR | -20..+80 °C |
| | Low temperature NBR | -40..+80 °C |
| | Viton | 0..+100 °C |
| | EPDM | -40..+100 °C |
| | FVMQ | -40..+100 °C |
| Media | self-lubricating fluid such as hydraulic oil, lubricating oil, light fuel oil and neutral fluids such as water and some gases. | |
| Lifetime | > 5 x 10 ⁶ | |
| Switching frequency | maximum 100 cycles/min. | |

| | | |
|------------------------------|--|--|
| Wiring | Plug DIN 43650-A / ISO 4400 Changeover Nr. 0.342 | |
| Switching voltage | Resistive load (max. value) 4 A at 24 V DC, 6 A at 250V AC | |
| switching current | Inductive load (max. value) 1 A at 24 V DC, 2 A at 250 V AC | |
| Protection class | 1 - PE – connection | |
| Ingress protection | IP 65 | |
| Electr. connection | Plug DIN 43650-A / ISO 4400 | |
| Materials | Housing: Zinc die casting, Adjustment knob: aluminium (powder coated) | |
| Material Sealing | Static: NBR or EPDM or FKM Dynamic: PTFE | |
| Weight | 0,325 kg | |
| Installation location | Any mounting position, hydraulic connection to bottom is not advisable. | |

Ranges

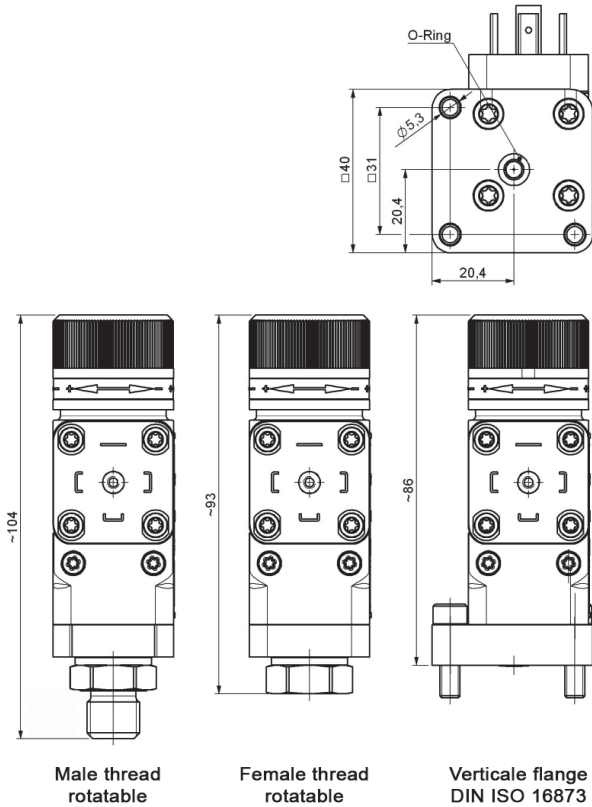
| Switching range bar (rel.) | Type |
|----------------------------|------------|
| 10-0 | PAS-030Z.. |
| 10-80 | PAS-080Z.. |
| 10-120 | PAS-120Z.. |
| 10-160 | PAS-160Z.. |
| 20-200 | PAS-200Z.. |
| 20-250 | PAS-250Z.. |
| 30-320 | PAS-320Z.. |

Process connection

| | |
|--|---------------------------|
| Male thread G ¹ / ₈ B; G ¹ / ₄ B Optional: G ¹ / ₂ B Female thread G ¹ / ₄ | ISO228-1 |
| Optional: 7/16-20 UNF | SAE J514 E ANSI/ASME B1.1 |
| R ¹ / ₈ ; R ¹ / ₄ ; R ³ / ₈ | ISO7 |
| ¼ NPT; ¼ NPT | ANSI/ASME B1.20.1 |
| M10x1 | DIN13-5 |
| Verticale flange | DIN ISO 16873 |

Product information

Dimensions



Ordering code

PAS - 1. 2. 3. 4. 5. 6.
Z

| | |
|--|---------------------------------|
| 1. Switching range | |
| 030 | 10-30 bar |
| 080 | 10-80 bar |
| 120 | 10-120 bar |
| 160 | 10-160 bar |
| 200 | 20-200 bar |
| 250 | 20-250 bar |
| 320 | 30-320 bar |
| 2. Connection material | |
| Z | Zinc die casting |
| 3. Anschlussgröße | |
| 008G | Female thread G $\frac{1}{4}$ B |
| 008A | Male thread G $\frac{1}{4}$ B |
| 031F | Flange DIN ISO 16873 |
| 011A | Male thread M10x1 |
| 012H | Male thread NPT $\frac{1}{4}$ |
| 4. Rotatable (connection pressure site) | |
| 0 | Fixed |
| 1 | Rotatable |
| 5. Electrical connection | |
| B | For plug DIN 43650-A / ISO 4400 |
| 6. Sealing | |
| N | NBR |
| E | Dynamic EPDM |
| V | Viton |

Handling and operation

Notes

- If the medium is dirty, install a filter.
- It must be ensured that the values given for voltage, current, and power are not exceeded.
- Check resistance to aggressive media, no DI water.
- Torques and thread lengths of the fluid connection:
 - G $\frac{1}{4}$ B, Rc $\frac{1}{4}$, R $\frac{1}{4}$, NPT $\frac{1}{4}$: 20-25 Nm, 8 mm
 - M10x1: 15-20 Nm, 8 mm
 - Flange: 6-8 Nm, 3 washer M5

Adjustment

- Turning the adjusting knob to the left for a larger value, turning to the right for a smaller value. After setting the knob can be fixed with a hexagon socket screw by using the supplied key.

Options

- Factory setting of the switch point on falling or rising pressure.