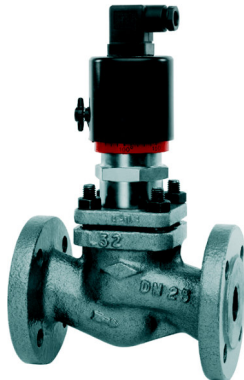


Product information

VD-...FG

Flow switch VD-...FG

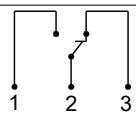


- Highly reproducible
- Insensitive to dirt
- DIN flange housing
- Precise setting of the switching valve by means of a 180° scale / setting diagram

Characteristics

Mechanical flow switch, for fluid media, with no-contact triggering of an adjustable Reed contact. Robust construction in stainless steel material.

Technical data

Switch	Reed switch	
Nominal width	DN 15 – 150	
Process connection	flange	
Adjustment range	2...950 l/min	For details see table "Ranges"
Q_{max.}	up to 2000 l/min	
Hysteresis	Depending on the switching value, minimum 0.3 l/min	
Tolerance	±5 % of full scale value	
Pressure resistance	PN 16	
Medium temperature	Max. -20...+120 °C	
Ambient temperature	-20...+70 °C	
Media	Water, (oils and aggressive media available on request)	
Wiring	Transformer No. 0.213	
Switching voltage	Max. 175 V DC / 120 V AC	
Switching current	Max. 0.25 A DC / 0.18 AAC	
Switch performance	Max. 5 W / VA	
Protection class	2 - Safety insulation	
Ingress protection	IP 44, optionally IP 65	
Connection	Plug DIN 43650-A / ISO 4400	
Materials medium-contact	1.4310, Grey cast iron GG25, Ms58, POM, Ms58,, NBR, Klingerit, hard ferrite	
Non-medium-contact materials	ABS	

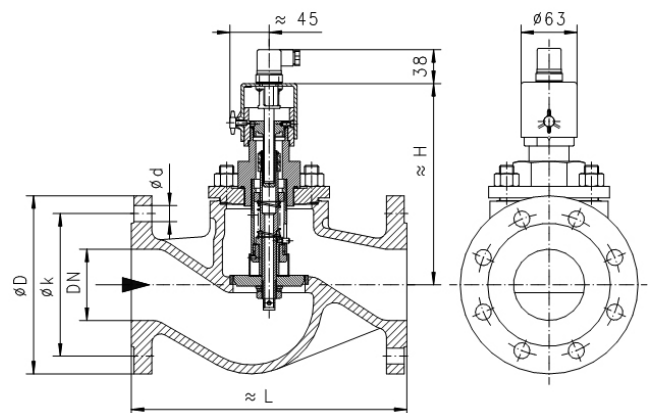
Weight	see table "Dimensions and weights"
Installation location	Standard: horizontal inwards flow; switching head not recommended underneath; other installation positions are possible; the installation position affects the switching point and range.

Ranges

Details in the table correspond to horizontal inwards flow with decreasing flow rate.

Type	Nominal width	Adjustment range		Q _{max.} recommended	
		l/min H ₂ O			
VD-015FG...	DN 15	2- 8	4- 20	20	30
VD-020FG...	DN 20	4- 20	10- 40	40	55
VD-025FG...	DN 25	10- 40	20- 60	60	80
VD-032FG...	DN 32	20- 60	30- 100	100	135
VD-040FG...	DN 40	30- 100	50- 200	150	270
VD-050FG...	DN 50	50- 200	100- 250	270	340
VD-065FG...	DN 65	100- 250	150- 300	400	
VD-080FG...	DN 80	150- 300	300- 450	600	
VD-100FG...	DN 100	200- 400	350- 500	950	
VD-150FG...	DN 150	600- 750	700- 950	2000	

Dimensions and weights



Type	H	L	D	k	d	Weight
	mm	mm	mm	mm	mm	kg
VD-015FG...	180	130	95	65	4x14	3,2
VD-020FG...	180	150	105	75	4x14	4,2
VD-025FG...	190	160	115	85	4x14	4,7
VD-032FG...	190	180	140	100	4x18	6,6
VD-040FG...	210	200	150	110	4x18	8,0
VD-050FG...	220	230	165	125	4x18	11,2
VD-065FG...	230	290	185	145	4x18	13,8
VD-080FG...	240	310	200	160	8x18	21,0
VD-100FG...	260	350	220	180	8x18	30,5
VD-150FG...	330	480	285	240	8x22	66,0

Product information

VD-...FG

Handling and operation

Note

- Include straight calming section of 5 x DN in inlet and outlet.
- Include a filter if the media are dirty (use magnetic filter for ferritic components).
- It must be ensured that the values given for voltage, current, and power are not exceeded.
- When switched on, a load must be connected in series.
- The electrical details apply to ohmic loads. Capacitive, inductive and lamp loads must be operated using a protective circuit.

Ordering code

VD - 1. 2. 3. 4. 5.
VD - F G

Options

- Signal lamp
- Temperature display 0..120 °C
- Temperature monitoring 40..90 °C
- Temperature resistant up to 150 °C
- Protection class IP 65
- Special values
- Switch contact SPDT change over 250 V AC 0.35 A 30 VA - increased hysteresis depending on switching value

Ordering information

- Specify direction of flow, medium, and switching range.
- For oils, state viscosity, temperature and designation (e.g. ISO VG 68) (enquire about switching range).

1. Nominal width											
015	DN 15										
020	DN 20										
025	DN 25										
032	DN 32										
040	DN 40										
050	DN 50										
065	DN 65										
080	DN 80										
100	DN 100										
150	DN 150										
2. Process connection											
F	flange										
3. Connection material											
G	Grey cast iron										
4. Adjustment range H ₂ O for horizontal inwards flow											
008	2 - 8 l/min										●
020	4 - 20 l/min										● ●
040	10 - 40 l/min										● ●
060	20 - 60 l/min										● ●
100	30 - 100 l/min										● ●
200	50 - 200 l/min										● ●
250	100 - 250 l/min										● ●
300	150 - 300 l/min										● ●
400	200 - 400 l/min										●
450	300 - 450 l/min										●
500	350 - 500 l/min										●
750	600 - 750 l/min										●
950	700 - 950 l/min										●
5. Optionally for ATEX											
A	For ATEX A-V1 switching head (The switching head is ordered in addition)										