

**Product Information**

**Manifolds VB**

**Manifold VB**

For NJ / NJV



Photo - valve block VB-020GA3 flow indicator NJVK1-020WM020

**Characteristics**

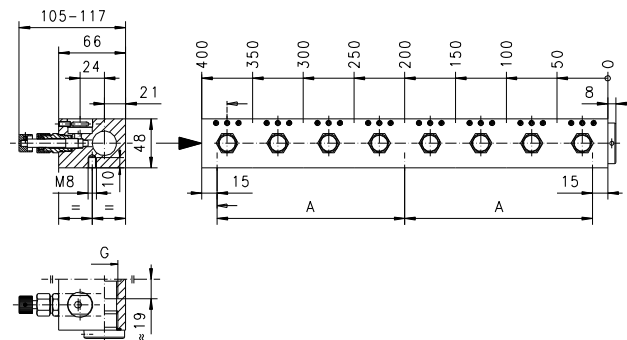
Manifold for single or multiple place systems and integrated needle valve for manual flow regulation.

**Technical data**

<b>Nominal width</b>	DN 20
<b>Process connection</b>	female thread G <sup>3</sup> / <sub>4</sub> ,
<b>Number of measurement points</b>	1...8
<b>Pressure resistance</b>	PN 25
<b>Medium temperature</b>	-20...+110°C
<b>Ambient temperature</b>	-20...+70 °C
<b>Materials medium-contact</b>	aluminium anodised, NBR, CW614N nickelled, CW614N
<b>Weight</b>	see table "Dimensions and weights"

**Dimensions and weights**

Number of measurement points	Types	Length (excluding stoppers)	Number of fixing holes	A	Weight kg
1	VB-020GA1	50	2	-	0.6
2	VB-020GA2	100	2	-	1.1
3	VB-020GA3	150	2	-	1.6
4	VB-020GA4	200	2	-	2.1
5	VB-020GA5	250	2	-	2.4
6	VB-020GA6	300	3	135	3.0
7	VB-020GA7	350	3	160	3.4
8	VB-020GA8	400	3	185	3.8



**Ordering code**

VB -  1.  2.  3.  4.  G

<b>1. Nominal width</b>	
020	DN 20 - G <sup>3</sup> / <sub>4</sub>
<b>2. Process connection</b>	
G	female thread
<b>3. Connection material</b>	
A	aluminium
<b>4. Number of measurement points</b>	
1	1
2	2
3	3
4	4
5	5
6	6
7	7
8	8