

Produktinformation

Universal Isolating Amplifier TV125L



- **Safe galvanic isolation between input / output / auxiliary voltage with reinforced isolation**
- **Step response T_{90} 40ms**
- **Output deviation < 0.2% of the limit value**
- **Overload protection of the current input with automatically resetting fuse**
- **Operating display and status messages via two-colour LED**
- **Configuration via front DIP switches**
- **Plug-in terminal strips**
- **Narrow installation width of 12.5 mm for carrier rail mounting TS 35**

Characteristics

Isolating amplifiers of the series TV125L are suitable for potential isolation or for conversion of unit signals. The universal layout of the inputs and the output enables a broad range of applications with only one type of device. The plug-in terminal strips enable simple and time-saving wiring. The configuration is also quick and easy with the front DIP switches.

Brief information

The input measuring ranges can be switched between 0..20 mA and 4..20 mA or 0..10 V and 2..10 V with a DIP switch on the front. The input measuring ranges can be switched between 0..20 mA and 4..20 mA or 0..10 V and 2..10 V with a DIP switch on the front.

With the microprocessor-controlled measurement logging, undercutting and exceeding of the measurement range are detected and indicated via a two-colour status LED on the front side. Then the current output is set to a defined starting or final value.

The current input is protected with an automatically resetting fuse (PTC) against static overvoltages up to 32 V AC/DC.

The required auxiliary energy is less than 0.5 VA.

The three circuits: Inputs, outputs, and auxiliary voltage, are galvanically separated with amplified isolation.

Technical data

Auxiliary power

Auxiliary voltage : 18 - 30V DC

Power consumption : < 0.5 VA

CE Conformity : Yes

Rated voltage: 300 V AC/DC

Test voltage : 3kV AC Input/Output/Auxiliary Voltage

Input / Output /
Auxiliary power

Environmental conditions

Working temperature : -10..60°C

Storage temperature : -20..60°C

Air humidity : < 95% (no condensation)

Inputs

Voltage input : Switchable, 0..10V or 2..10 V.
Ri = 47 k Ω . Max. overload 32 V AC

Current input : Switchable, 0..20 mA or 4..20 mA.
Ri = 48 Ω + 15 Ω (RiPTC).
Max. overload 32 V AC/DC

Output

Current output : Switchable, 0..20 mA or 4..20 mA.
Load < 150 Ω .

Step response : 40 ms

Standard error : < 0.2 % of final value

Temperature coefficient : < 0.01 % / K

Casing

Material : Polyamide (PA) 6.6 , UL94V-0,

Weight : 91g

Protection rating : Housing IP30, terminals IP20 BGV A3

Colour : light grey

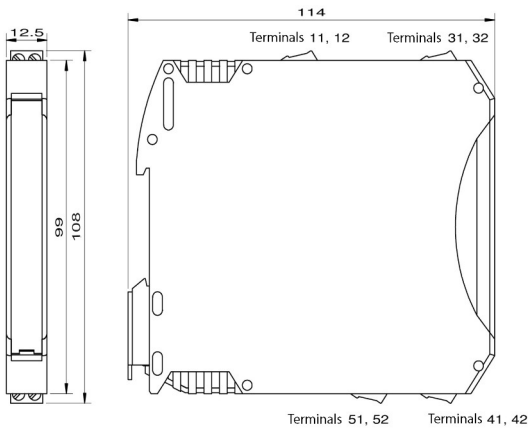
Installation width : 12.5 mm

Dimensions (HxD) : 108 x 114 mm

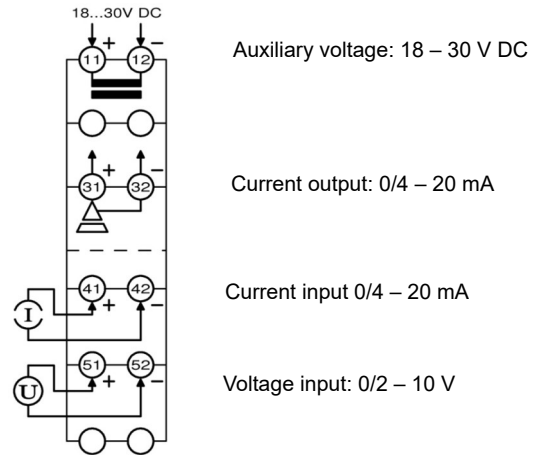
Installation : Carrier rail mounting TS35

Produktinformation

Dimensions



Connection diagram



Ordering code

TV - - - -

1. Device version	
125L	Auxiliary voltage 18...30V DC
125LP*	Auxiliary voltage 18...30V DC via rail mounted connecting terminal (Power Rail)
2. Metering range	
10	Inputs 0/4..20 mA and 0/2..10 V Outputs 0/4..20 mA
3. Auxiliary voltage	
5	18...30V DC
4. Options	
00	without option
01	Push-in-clamp (plug-in)

* Rear bus plug included

Accessories

Art. No.	Type	Description
190109	PRVK	Power Rail 5- pole supply terminal. Connection site: left