

T-pieces

T-piece TS-1

For paddle systems

examples:
UR1 / UR2 / UR3
UM3



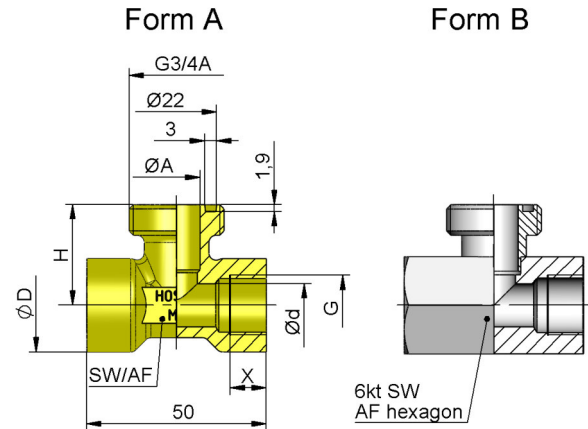
Characteristics

T-pieces for direct installation in pipework with G - female thread in the material brass or stainless steel.

Technical data

Nominal width	DN 10..50
Process connection	female thread G 3/8..G 2
Pressure	PN 25
Materials medium-contact	CW617N nickelled or 1.4305
Weight	see table

Dimensions and weights



	Types	G	H	ØA	X	Ød	ØD	SWAF	6 kt SW AF hexagon	Weight kg	
Form A	TS-1M010	G 3/8	28.0	13/11.5	10	12	26	19	-	0.15	
	TS-1M015	G 1/2				13					0.12
	TS-1M020	G 3/4	29.5		12	20	32	29			0.16
	TS-1M025	G 1				25	39	36			0.20
	TS-1M032	G 1 1/4	37.5		12	32	46	44			0.23
	TS-1M040	G 1 1/2				40	55	53			0.33
	TS-1M050	G 2	49.5		50	70	68	0.56			
Form B	TS-1K010	G 3/8	28.0	13.5/12	10	12	-	-	27	0.20	
	TS-1K015	G 1/2				13					0.18
	TS-1K020	G 3/4	29.5		12	20			30	0.16	
	TS-1K025	G 1				25			38	0.25	
	TS-1K032	G 1 1/4	37.5		12	32			46	0.32	
	TS-1K040	G 1 1/2				40			55	0.45	
	TS-1K050	G 2	49.5		50	70			0.75		

Ordering code

1. 2. 3.
TS-

1. Connection	
1	for paddle system
2. Construction material	
M	nickelled brass
K	stainless steel
3. Nominal width	
010	DN 10 - G 3/8
015	DN 15 - G 1/2
020	DN 20 - G 3/4
025	DN 25 - G 1
032	DN 40 - G 1 1/4
040	DN 40 - G 1 1/2
050	DN 50 - G 2

Produktinformation

T-pieces

Welded / soldered nozzles

For system fastener Ø13.2

Ordering code



1. 2.
SL -

1. Connection	
1	for system connection Ø13.2
2. Construction material	
M	nickelled brass
K	stainless steel

T-piece TS-2

For system fastener Ø13.2

examples:
OMNI-F / FLEX-F
OMNI-T / FLEX-T
ETS-...K013

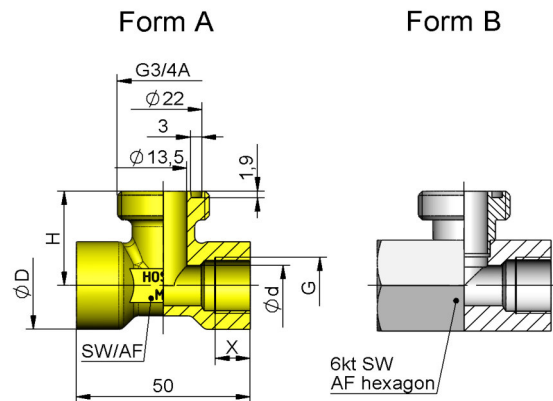


Characteristics

T-pieces for direct installation in pipework with G - female thread in the material brass or stainless steel.

Technical data

Nominal width	DN 10 - 50
Process connection	female thread G 3/8..G 2
Pressure	PN 25
Materials medium-contact	CW617N nickelled or 1.4305
Weight	see table



Dimensions and weights

	Type	G	H	X	Ød	ØD	SWAF	Weight kg
Form A	TS-2M010	G 3/8	28.0	10	12	26	19	0.15
	TS-2M015	G 1/2			13			0.12
	TS-2M020	G 3/4	29.5	12	20	32	29	0.16
	TS-2M025	G 1	33.0		25	39	36	0.20
	TS-2M032	G 1 1/4	37.5		32	46	44	0.23
	TS-2M040	G 1 1/2	40.5		40	55	53	0.33
	TS-2M050	G 2	49.5		50	70	68	0.56
Form B	TS-2K010	G 3/8	28.0	10	12	-	27	0.20
	TS-2K015	G 1/2			13			0.18
	TS-2K020	G 3/4	29.5	12	20	30	0.16	
	TS-2K025	G 1	33.5		25	38	0.25	
	TS-2K032	G 1 1/4	37.5		32	46	0.32	
	TS-2K040	G 1 1/2	40.5		40	55	0.45	
	TS-2K050	G 2	49.5		50	70	0.75	

Ordering code

1. 2. 3.
 TS-

1. Connection	
2	for temperature sensor and calorimetric flowsensors using for liquid Media with system fastener Ø13.2
2. Construction material	
M	nickelled brass
K	stainless steel
3. Nominal width	
010	DN 10 - G $\frac{3}{8}$
015	DN 15 - G $\frac{1}{2}$
020	DN 20 - G $\frac{3}{4}$
025	DN 25 - G 1
032	DN 40 - G $1\frac{1}{4}$
040	DN 40 - G $1\frac{1}{2}$
050	DN 50 - G 2

T-piece TS-3

Produktinformation

T-pieces

For devices with plug-in sensor Ø12

examples:
OMNI-F / FLEX-F
EFKS / EFK2

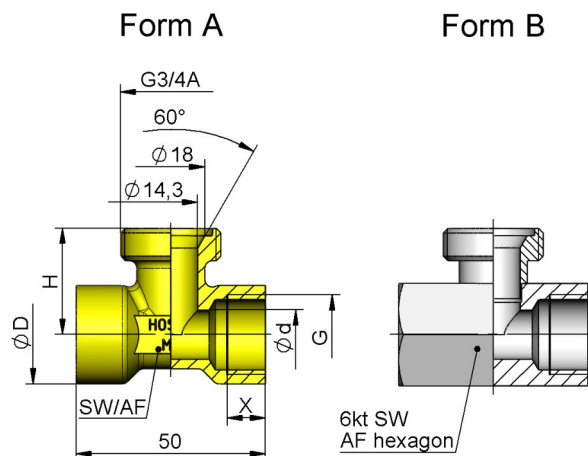


Characteristics

T-pieces for direct installation in pipework with G - female thread in the material brass or stainless steel.

Technical data

Nominal width	DN 10 - 50
Process connection	female thread G 3/8..G 2
Pressure	PN 25
Materials medium-contact	CW617N nickelled or 1.4305
Weight	see table



Dimensions and weights

	Type	G	H	X	Ød	ØD	SWAF	6 kt SW AF hexagon	Weight kg
Form A	TS-3M015	G 1/2	28.0	10	13	26	19	-	0.12
	TS-3M020	G 3/4	29.5	12	20	32	29		0.16
	TS-3M025	G 1	33.0		25	39	36		0.20
	TS-3M032	G 1 1/4	37.5		32	46	44		0.23
	TS-3M040	G 1 1/2	40.5		40	55	53		0.33
	TS-3M050	G 2	49.5		50	70	68		0.56
Form B	TS-3K015	G 1/2	28.0	10	13	-	-	27	0.18
	TS-3K020	G 3/4	29.5	12	20			30	0.16
	TS-3K025	G 1	33.5		25			38	0.25
	TS-3K032	G 1 1/4	37.5		32			46	0.32
	TS-3K040	G 1 1/2	40.5		40			55	0.45
	TS-3K050	G 2	49.5		50			70	0.75

Ordering code

1. 2. 3.
TS-

1. Connection	2	For calorimetric plug-in sensors Ø12 for gaseous and liquid media
2. Construction material	M	nickelled brass
	K	stainless steel
3. Nominal width	010	DN 10 - G 3/8
	015	DN 15 - G 1/2
	020	DN 20 - G 3/4
	025	DN 25 - G 1
	032	DN 40 - G 1 1/4
	040	DN 40 - G 1 1/2
	050	DN 50 - G 2