

## Produktinformation

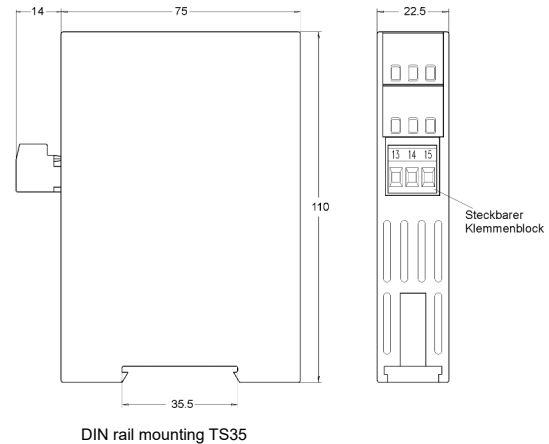
# Isolating Switching Repeater TS500-Ex



Design : standard case, Makrolon 8020 UL94V-1  
Weight : approx. 200 g  
Electrical connection: screw terminals, max. 2.5 mm<sup>2</sup>  
Protection class : case IP30,  
terminals IP20 acc. to BGV A3

More details see user manual

## Dimensions



## Characteristics

Isolating switching repeater TS500-Ex can be used for monitoring and controlling digital signals out of the hazardous area. The intrinsically safe input is suitable for switching contact, proximity switch according to Namur DIN EN 60947-5-6, or passive electronic outputs of other devices. The devices must be installed out of the Ex-area because only the input is intrinsically safe.

## Technical data

### Explosion protection

Certification : DMT 99 ATEX E 079  
Approval : ATEX II (1) G [Ex ia] IIC/IIB or  
(1) D [Ex iaD]

### Power supply

Supply voltage : 230 V AC  $\pm 10\%$ , 47..63 Hz  
24 V  $\pm 15\%$

Power consumption : < 2 W

### Operating temperature

: -10..+55 °C

CE-conformity : ATEX-directive 2014/34/EU

Standards : EN 60079-0:2006, EN 60079-11:2007  
EN 60079-26:2004, EN 61241-0:2006  
EN 61241-11:2006

EMC-directive : 2014/30/EU / EN 61326-1:2013

### Inputs (intrinsically safe)

Namur (acc. to DIN EN 60947-5-6)

- No load voltage : approx. 8 V  
- max. current : approx. 8 mA  
- Switching points : inactive  $\leq 1.2$  mA, active  $\geq 2.1$  mA,  
hysteresis approx. 0.5 mA

- Break of wire :  $\leq 0.1$  mA  
- Short circuit :  $\geq 7.5$  mA

### Switching contact

### Output

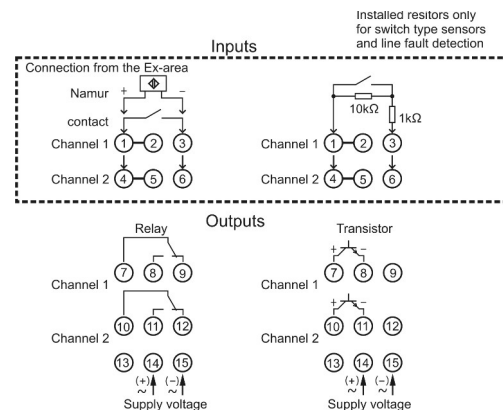
Relay SPDT : < 253 V AC < 100 VA < 2 A;  
< 100 V DC < 50 W < 2 A

- max. frequency : 5 Hz  
- max. delay : 20 ms (2-channel: 50 ms)  
Transistor : max. 35 V DC, max. 50 mA, voltage free  
(short-circuit-proof),  
safety voltage 253 V AC/125 V DC

- voltage drop :  $\leq 3.5$  V active (at load 50 mA)  
- max. frequency : 2 kHz

### Case

## Connection diagram



## Ordering code

TS500-Ex - ia -  -

1. Output	
1R	1-channel relay output
2R	2-channels relay output
1T	1-channel transistor output
2T	2-channels transistor output
2. Supply voltage	
0	230 V AC $\pm 10\%$
5	24 V DC $\pm 15\%$