

Product Information

RRI-032RMH

Flow transmitter RRI-032RMH



- Simple and affordable flow transmitter for pipe diameters of DN32 or larger
- Plastic version
- Suitable for retrofitting in existing pipelines with tapping clamps or weld-on nozzles

Technical data

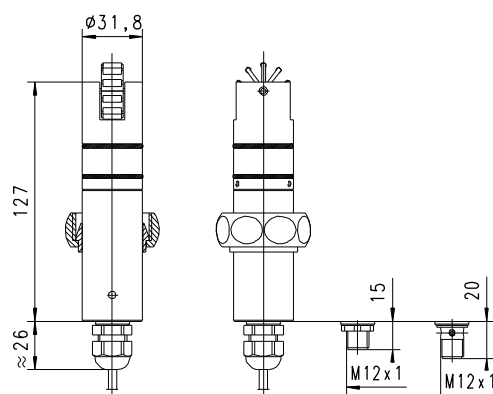
Measuring principle	Paddle wheel
Nominal widths	DN32 and larger
Mechanical Connection	Insertion probe with union nut (welded-on nozzle and tapping clamps available as accessories)
Measuring range	0.3...6 m/s
Reproducibility	± 1 %
Media temperature	0...+60 °C
Pressure resistance	PN 10
Electrical connection	2 m cable or for round plug connector M12x1, 4-pin
Wetted materials	
Housing	PVC
Rotor	PVDF / 1.4310 or titanium
Bearing	Iglidur X
Axis	Ceramics ZrO ₂ -TZP
Seal	Fluororubber FKM
Weight	approx. 0.250 kg
Protection rating	IP 67
Conformity	CE

Electrical data

Signal outputs P and N	Output signal PNP/NPN o.C. Auxiliary voltage 10...30 V DC Quiescent current consumption 10 mA Output current max. 200 mA resistant to short-circuit proof, reverse polarity protected
Signal output A	NAMUR output circuit (2-wire) Voltage 7...12 V DC Current consumption max. 7 mA reverse polarity protected
Signal output I	Current output 4...20 mA Auxiliary voltage 10...30 V DC Quiescent current consumption max. 50 mA resistant to short-circuit proof, reverse polarity protected
Signal output U	Voltage output 0...10 V Auxiliary voltage 15...30 V DC Quiescent current consumption max. 50 mA Output current max. 20 mA short-circuit proof, reverse polarity protected

Signal output F	Frequency output programmable up to 2 kHz Auxiliary voltage 10...30 V DC Quiescent current consumption max. 50 mA Push-Pull output circuit Output current max. 100 mA resistant to short-circuit proof, reverse polarity protected
Signal output S	Limit switch Auxiliary voltage 10...30 V DC Quiescent current consumption max. 50 mA Push-Pull output circuit Output current max. 100 mA resistant to short-circuit proof, reverse polarity protected

Dimensions



Output signal	Cable 2 m	M12x1 without LED	M12x1 with LED
P/N	•	•	
A	•		
I/U/F/S			•

Ranges

The measuring range of the flow transmitter is 0.3 ... 6 m/s. This results in approximated flow rates in pipes of various nominal widths according to the following table (not considering the flow profile).

DN	Measuring range	
	l/min	m ³ /h
32	15... 300	18
40	23... 460	27
50	35... 700	42
65	60...1200	72
80	90...1800	108
100	140...2800	168
125	220...4400	264
150	315...6300	378

The output frequency of the non-adjustable frequency-producing sensors (version P, N or A) at full deflection is approx. 480 Hz. Versions with analog output (U or I) or adjustable frequency output (F) are available with limited measuring ranges (1, 2 and 4 m/s). The desired output frequency of the adjustable frequency output must be specified when placing an order (up to 2000 Hz).

