

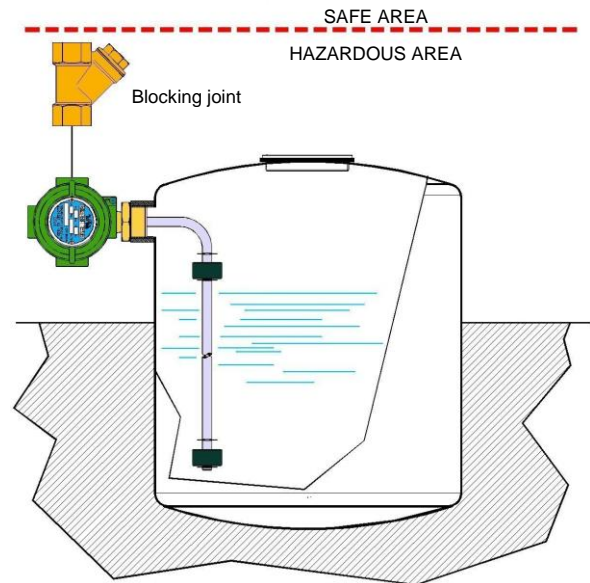
APPROVED IN ACCORDANCE WITH THE EUROPEAN STANDARD 2014/34/EU - ATEX



These instruments, explosion-proof certified **CESI 03 ATEX 272 Ext.2 II 1/2G Exdb IIB IIC T5/T6 Ga/Gb**, are used to control the level of liquids or fuel in tanks, both underground and outdoors, installed in hazardous areas where flammable products are treated.

GENERAL CHARACTERISTICS

- Brass – Spansil – Stainless steel rod
- Up to 4 switch points.
- Maximum working pressure 20 bar.
- Standard working temperature up to 100°C.
- Executions up to 120°C on request.
- Operating ambient temperature -40/+40°C = T6, -40/+60°C = T5
- Minimum degree of protection IP67.
- Built-in temperature sensors, on request. PT – PTC – NTC – Thermostat (Thermoprotector).



FLOATS

Tab.1



Material	Spansil – Butadiene - Acrylonitrile Copolymer											
Specific gravity	0,59	0,44	0,4	0,45	0,4	0,35	0,45					
Contact type	3	3	6D	3	6D	3	3	6D	4	6	4	6
Max N. contacts	1	1	1	3	4	4	4	4				
Max. bar	10				20							
Max. °C - Class					L = 100°C							
On request					M = 120°C							

ELECTRICAL CONTACTS

Tab.2

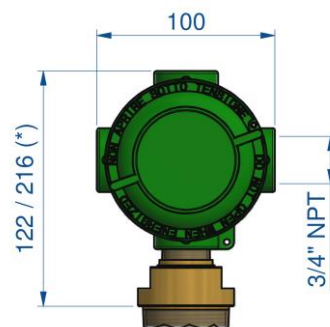
TYPE		POWER		VOLTAGE		CURRENT	
		VA	W	AC	DC	AC	DC
SPST	3	70	50	300	350	0,5	0,7
SPST	4	80	80	250	250	1,3	1,3
SPDT	6	60	60	230	230	1	1
SPDT	6D	20	20	150	150	0,5	0,5

ELECTRICAL OUTPUT

Tab.3

E1	IP66/67 Housing – Aluminum - Epoxy painted Max. 18 terminals
E3	IP66/67 Housing – AISI 316 St. steel Max. 18 terminals

Heatsink - see dimension (*) Temperature class **M**



PROCESS CONNECTION Tab.4

Float type	Installation from outside – available thread and flanges							
	20 3/4"	25 1"	32 1 1/4"	40 1 1/2"	50 2"	FOHX Flange	DN50 Flange	DN65 Flange
B13	G-C-N	-	-	-	-	-	-	-
B22	G-C-N	G-C-N	-	-	-	•	-	-
B28	G-C-N	G-C-N	-	-	-	•	-	-
B15	-	G-C-N	-	-	-	-	-	-
B20	-	G	G-C-N	-	-	•	•	-
B45	-	G	G-C-N	G-C-N	-	•	•	-
B44	-	-	-	G	G-C-N	•	•	•

Male thread

G	C	N
Parallel UNI 228/1	Conical UNI 7/1	Conical NPT

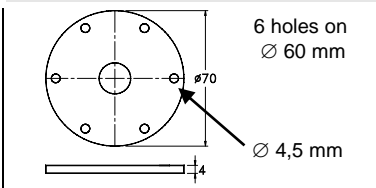
Available materials

O	S
Brass	AISI-316 On request

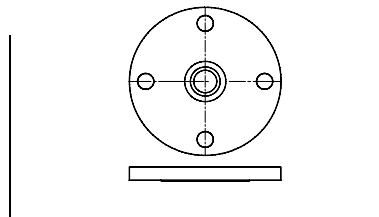
DN = Available materials

C	S
Steel	AISI-316 On request

FLANGES Dimensions in mm.



FOHX



DN = UNI – DIN – ANSI flanges

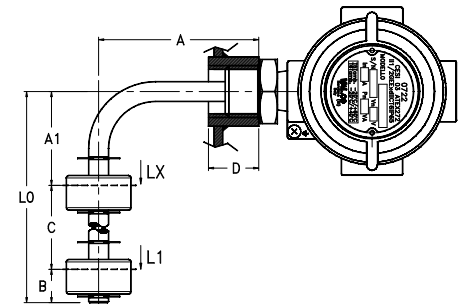
WIRING Tab.5

I	Independent	Separately wired contacts	1	NO	Contacts status in no level conditions
C	Common	Common wired contacts	2	NC	
S	Custom	Contacts wired on request	3	SPDT	

SWITCH POINTS - minimum value in mm. Tab.6

Switch points L1÷L4 are measured from the axis of fitting or flange connection. Tolerances ± 3 mm.

	Minimum distance in mm.							
	B13	B22	B28	B15	B20	B45	B44	
A min.	60	60	60	55	60	60	80	
A1 min.	60	60	60	55	60	75	80	
B	25	25	25	20	20	40	40	
C	-	-	-	35	40	75	75	
D max. ▶	18	22	24	25	24	24	36	
Contact type	3	3 6D	3 6D	3	3 6D	4 6	4 6	
Max. N. contacts	1	1	1	3	4	4	4	



OPTION – Built-in temperature sensor

On request, it is possible to install a temperature sensor located at the bottom of the rod inside the instrument.

PT100 – PT1000	PTC	NTC	TRP (Thermoprotector)
EN 60751 – IEC 751	Resistance at 25°C ≤ 500 Ω	Resistance at 25°C 2-5-10-50-100 KΩ	70°C ÷ 120°C - 10°C step
Class B – A (on request)	Temperature 60°C ÷ 120°C	Precision ± 5% / ± 3% (on request)	Precision ± 5% Differential 40°C

NOMENCLATURE

L2	B45	4	0350/0100	S	25	G	O	E1	L	I22	L1÷L4	
•												Number of contacts L1÷L4
	•											Tab.1 Float
		•										Tab.2 Electrical contact
			•									- Total length = L0 mm / Length A mm. (See drawing)
				•								- Stainless steel rod material
					•							Tab.4 Process connection dimension
						•						Tab.4 Process connection thread
							•					Tab.4 Process connection material
								•				Tab.3 Electrical output
									•			Tab.1 Temperature class
										•		Tab.5 Wiring and contact status
											•	Tab.6 Switch points (mm)

All level controls Exd certified must be connected by interposing the appropriate blocking joints according to the European Standard EN 50018.