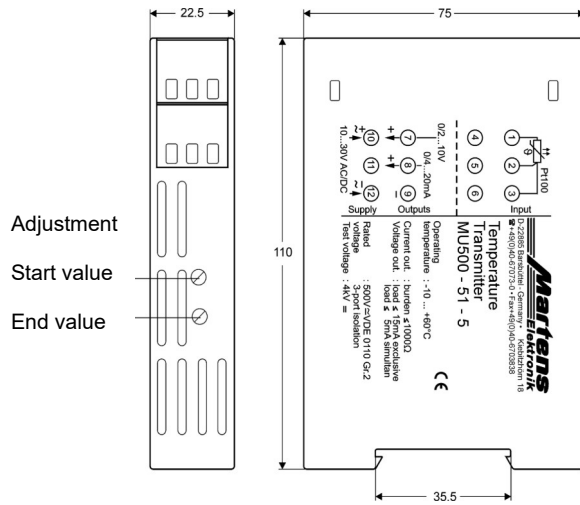


**Produktinformation**

# Universal Transmitter MU500



**Dimensions**



**Characteristics**

Temperature transmitter MU500 accept field signals of Pt100 or Pt1000 RTD sensors to the input which is filtered, isolated and converted into industry standard signals for process control systems. The multipurpose design of inputs and outputs, also the wide range of the supply voltage reduces the number of types. The small case allows space-saving mounting.

**Technical data**

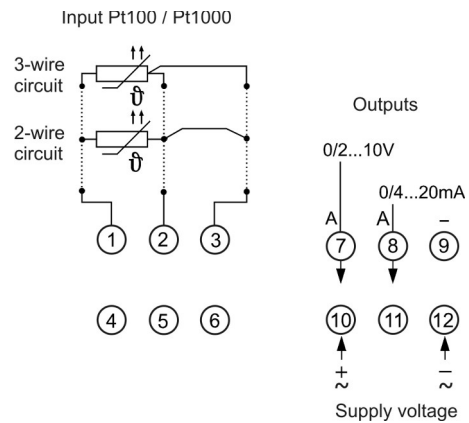
**Power supply**  
 Supply voltage : 85..265 V AC/110..125 V DC or 10..30 V AC/10..42 V DC  
 Frequency AC : 40..400 Hz  
 Power consumption : max. 2.2 W , max. 3.3 VA  
 Operating temperature : -10..+60 °C  
 CE-conformity : EN 61326-1:2013; EN 60664-1:2007

**Input**  
 RTD Pt100 : 13 ranges, switch selectable  
 - Sensor current : Pt100 approx. 1 mA  
 RTD Pt1000 : 16 ranges, switch selectable  
 - Sensor current : Pt1000 approx. 0.25 mA  
 Line resistance : max. 100 Ω  
 Accuracy : ≤ 0.2 %  
 Zero adjust : Pt100 approx. ± 8 Ω ( ± 20 °C )  
 Pt1000 approx. ± 8 Ω ( ± 2 °C )  
 End value : adjustable approx. +/-20 %  
 Sensor error;  
 - broken or shorted line: output rises to max. output value

**Outputs**  
 Current : 0/4..20 mA switch selectable  
 burden ≤ 1 kΩ  
 Voltage : 0/2..10 V switch selectable  
 load max. 15 mA , short-circuit-proof  
 (simultaneously to the current output  
 max. 5 mA)

**Case** : Polycarbonate, UL94V-0  
 TS 35 acc. to DIN EN 60715:2001-09  
 Weight : approx. 200 g  
 Protection class : case IP30, terminals IP20, BGV A3  
 Electrical connection : screw terminals with pressure plate,  
 max. 2.5 mm<sup>2</sup>

**Connection diagram**



**Ordering code**

1. 2.  
 MU500 -  -

<b>1. Device type</b>	
51	Pt100, 13 measuring ranges
53	Pt1000, 16 measuring ranges
<b>2. Supply voltage</b>	
0	85..265 V AC
5	10..30 V AC/DC