

GENERAL CHARACTERISTICS

The principle of operation is of potentiometric type, based on the gradual shutdown of a chain of resistors and reed contacts, placed inside the guiding rod, by a magnetic float. The only moving element is the float that moves, for buoyancy, along the measuring rod. This ensures a high degree of reliability.

Set point and output signal are adjustable on the device or more easily remotely via the My-Valco smartphone App

- **Brass – Spansil**
- Measuring resolution 5 – 10 – 20 mm.
- Local indicator 4 digit (9999)
- Display and electrical connection are independently rotatable 335°/343°
- Analogue output switchable mA or V
- Parametrization via NFC communication system through APP
- Integrated data logger function
- Up to 5m length
- Maximum working pressure 6 Bar
- Operating ambient temperature -30/+55°C UR 90%.
- Standard working temperature up to 130°C..
- Minimum degree of protection IP65.



..... don't forget to download MyValco App
.....the fastest way to setup your device



FLOATS

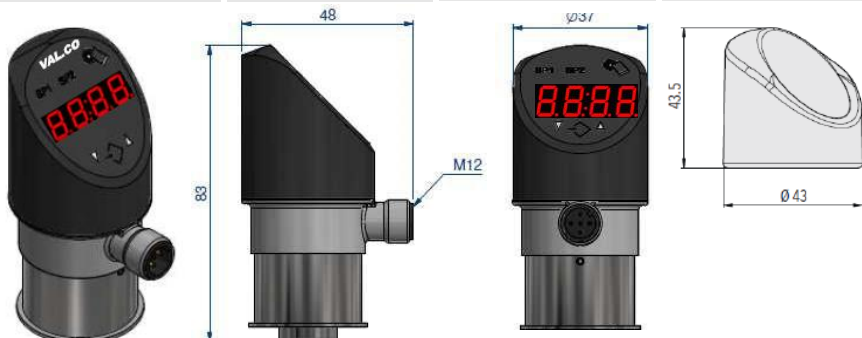
Tab.1



	F49 Ø49x53	P49 Ø49x53	V49 Ø49x53
Material	PVDF	PP - Polypropylene	PVC
Specific gravity	0,8	0,45	0,7
Measuring resolution - mm	5 - 10 - 20	5 - 10 - 20	5 - 10 - 20
Max. bar	6	3	6
Max. °C - Class	N = 130°C	D = 90°C	B = 60°C

ELECTRICAL OUTPUT - DATA - DIMENSIONS mm Tab.2

DSV		P0		TECHNICAL DATA	
IP65	Adjustable head display 343° max rotatable	M12x1 male connection 343° max rotatable	Display protective cup on request	Output signal	4-20 mA, 0-5 VDC, 1-6 VDC 0-10 VDC, switchable mA or V
IP67 with connection cable M12x1 plug on request KPU02SG				Switching output	N. 2 SW - PNP transistors
				Display units	mm, inch, user scale, %FS
				Logger	Ring buffer: 3518 data points Sampling time 0.1 ... 999.9 s. Off (0)
				Factory setting	Output signal 4...20 mA Display unit in mm



PROCESS CONNECTIONS

Tab.3

All type of floats All type of thread	Float type	Installation from outside			
	50 2"	DN65 Flange	DN80 1-1/4"	DN100 1-1/2"	
	F40	G-C-N	•	•	•
	P49	G-C-N	•	•	•
	V49	G-C-N	•	•	•

Male thread

G	C	N
Parallel UNI 228/1	Conical UNI 7/1	Conical NPT

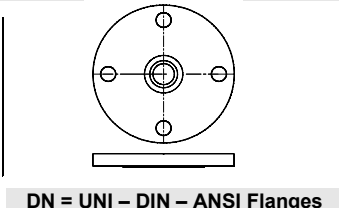
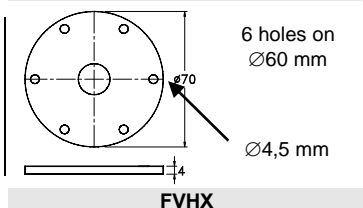
Available materials

F	P	V
PVDF	PP	PVC

DN = Available materials

V	S
PVC	Stainless steel On request

FLANGES Dimensions in mm.

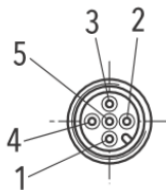


A Flanged connection
A1 Threaded connection

WIRING

Input protection	IP67 - with KPU02SG cable
Connection	M12x1 - 5 pole

Pin configuration



1	+
2	Analog output
3	-
4	SW1 - PNP transistor switch
5	SW2 - PNP transistor switch

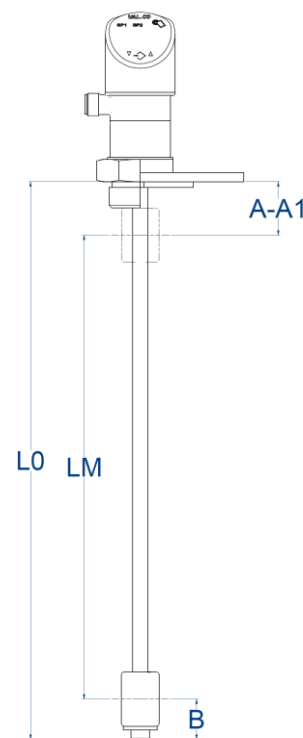
DIMENSIONS mm.

Tab.4

The dimensions L0 and LM refer to the stop of the fitting (A1) or flange (A) connection.
Tolerance on dimension L0 and LM ± 3 mm.

	F49	P49	V49
A	25	25	25
A1	45	45	45
B	30	30	30

Damping tube On request	-	- V	- S
		PVC	AISI-316



LCD V49 20 1300 / 1400 V -V 50 G V DSV L

LCD	V49	20	1300 / 1400	V	-V	50	G	V	DSV	L	
•											Type: LCD
	•										Tab.1 Float
		•									Tab.1 Measuring resolution (mm).
			•								Tab.4 Measuring length LM / Total length L0 (mm).
				•							Tab.3 Rod material.
					•						Tab.4 Damping tube (option).
						•					Tab.3 Process connection dimension.
							•				Tab.3 Process connection thread.
								•			Tab.3 Process connection material.
									•		Tab.2 Electrical display output.IP65/IP67
										•	Tab.1 Temperature class.
K	PU	02	S	G							2m. length connection cable M12x1 plug IP67
	P0										Display protection cup