

**Product Information**

# Conductivity Cell LF2653HT



**Characteristics**

- 2-electrode conductive high temperature cell for pure- and ultra-pure water with pipe thread acc. To DIN ISO 228
- Measuring range 0..0.5 µS/cm up to 0..50 µS/cm

**Technical data**

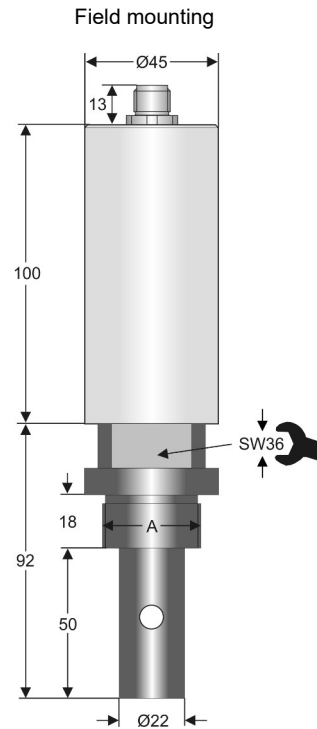
Cell constant : C = 0.1 exact cell constant labeled on the type plate  
Operating temperature : 0..200 °C  
Process pressure : max. 20 bar  
Process material : stainless steel 1.4404 (316L), ceramic, Kalrez

**Electrical connection**

Field mounting : 8 pole round connector plug M12x1, IP67  
Material : brass nickel plated

Temperature measurement : integrated Pt1000 sensor DIN IEC751, Class A

**Dimensions**



**Ordering code**

LF <sup>1.</sup> - C0,1 - <sup>2.</sup> - <sup>3.</sup>

<b>1. Model</b>	
2653HT	Feldmontage
<b>2. Process connection</b>	
G 3/4A	
G 1 A	
G 1 ¼ A	
<b>3. Options</b>	
00	without option
03	8 pole round connector plug SS-type