

Produktinformation

Conductivity Cell LF1653 / LF2653



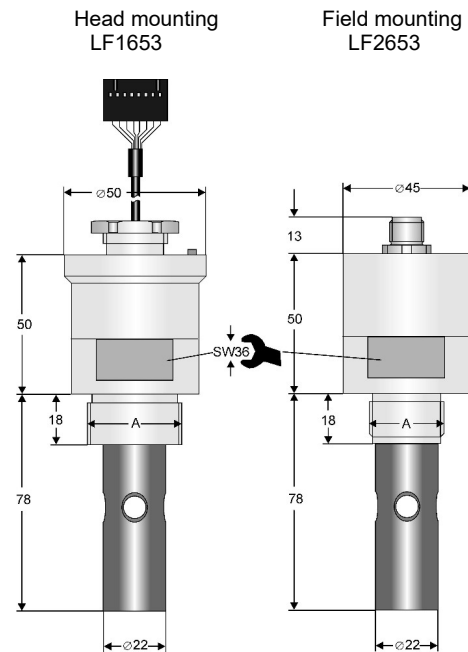
Characteristics

- 2-electrode ultra-pure water cell with pipe thread acc. to DIN ISO228
- Measuring range from 0..0.5 µS/cm up to 0..50 µS/cm

Technical data

| | |
|------------------------------|--|
| Cell constant | : C = 0.1 exact cell constant labeled on the type plate |
| Process temperature | : -10..+120 °C CIP-/SIP-capable 140 °C < 1 h |
| Process pressure | : max. 16 bar |
| Process material | : stainless steel 1.4404 electropolished; PVDF; seal EPDM |
| <i>Electrical connection</i> | |
| LF1653 | : flat cable connector, only head mounting UNICON-LF |
| LF2653 | : 8 pole round connector plug M12x1, IP67 |
| -Material | : brass nickel plated |
| Temperature measurement | : integrated Pt1000 sensor DIN IEC751, class A |

Dimensions



Ordering code

LF ^{1.} - C0.1 - ^{2.} - ^{3.}

| | |
|--------------------------------|---------------------------|
| 1. Model | |
| 1653 | head mounting UNICON-LF |
| 2653 | field mounting |
| 2. Process connection A | |
| G 3/4 A | |
| G 1 A | |
| 3. Options | |
| 00 | without option |
| 03 | 8 pole round plug SS-type |