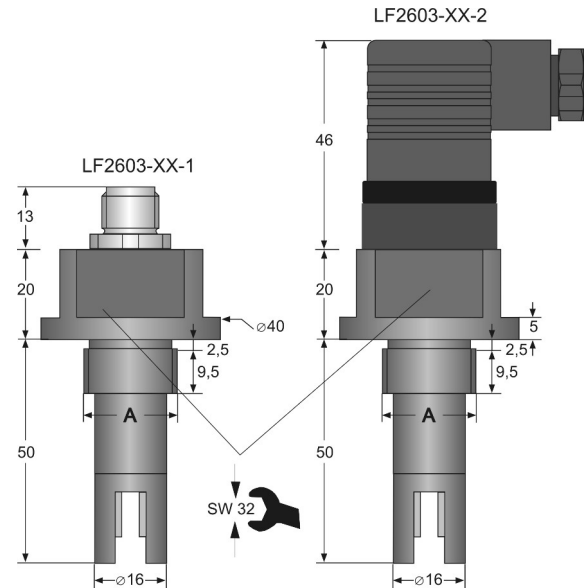


Produktinformation

Conductivity Cell LF2603



Dimensions



Characteristics

- 2-electrode conductive flow cell for pipe ultra pure water
- Measuring range 0..20 $\mu\text{S/cm}$ up to 0..100 $\mu\text{S/cm}$

Technical data

| | |
|-------------------------|---|
| Cell constant | : C = 0.5 \pm 3.5% |
| Operating temperature | : 0..60 °C |
| Process pressure | : max. 16 bar at 22°C |
| Process material | : stainless steel (electrodes), PVC-U acc. to DIN8061/8062 |
| Electrical connection | : 4 pole angle plug acc. to EN 175301-803/A, IP65 or 8 pole round connector plug M12x1, IP67 |
| -Material | : brass nickel plated |
| Temperature measurement | : integrated Pt1000 Sensor DIN IEC751, class A |

Ordering code

LF2603 - C0.5 - 1. - 2. - 3.

| 1. Process connection (A) | |
|---------------------------|-------------------------------------|
| G 1/2 A | cylindrical thread |
| R 1/2 | conical thread |
| G 3/4 A | cylindrical thread |
| R 3/4 | conical thread |
| 2. Electrical connection | |
| 1 | 8 pole round connector |
| 2 | 4 pole angle entry plug |
| 3. Options | |
| 00 | without option |
| 03 | 8 pole round connector plug SS-type |