

Produktinformation

Conductivity Cell LF1553 / LF2553



Characteristics

- 2-electrode ultra pure water cell for VARIVENT® Inline-case
- FDA compliant
- Application field food industry
- Measuring range 0..0.5 µS/cm up to 0..50 µS/cm

Technical data

Cell constant : C = 0.1 exact cell constant labeled on the type plate

Process temperature : -10..+120 °C
 CIP-/SIP-capable 140 °C < 1 h

Process pressure : max. 16 bar

Process material : stainless steel 1.4404; PEEK;
 seal EPDM, FDA compliant

Electrical connection

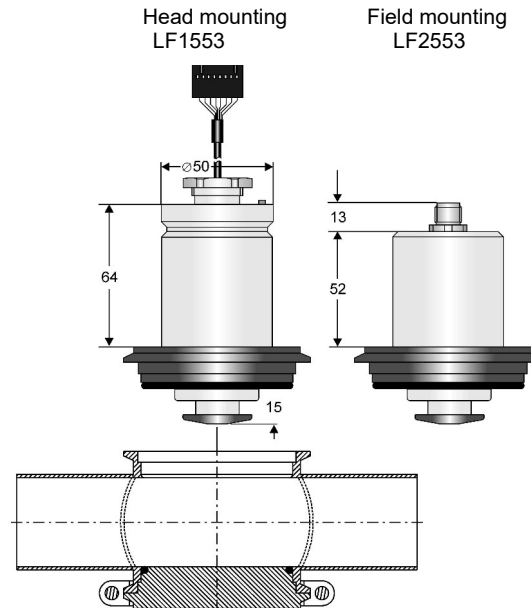
LF1553 : flat cable connector,
 only head mounting UNICON-LF

LF2553 : 8 pole round connector plug
 M12x1, IP67

-Material : brass nickel plated

Temperature measurement : integrated Pt1000 sensor DIN IEC751,
 class A

Dimensions



Ordering code

LF 1. - C0.1 - 2. - 3.

1. Model	
1553	head mounting UNICON-LF
2553	field mounting
2. Process connection	
DN25	VARIVENT® DN25
DN40	VARIVENT® DN40..DN125
3. Options	
00	without option
03	8 pole round plug SS-type

Note:
 Conductivity cells LF1553 / LF2553 should **not** be mounted together with other cells in **one** VARIVENT® case.