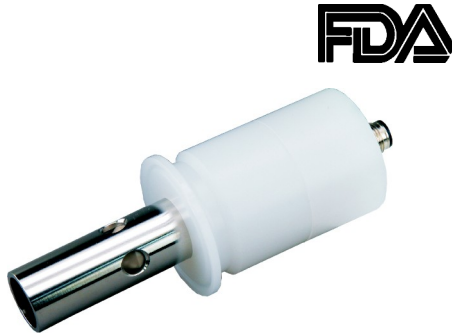


Produktinformation

Conductivity Cell LF1453 / LF2453



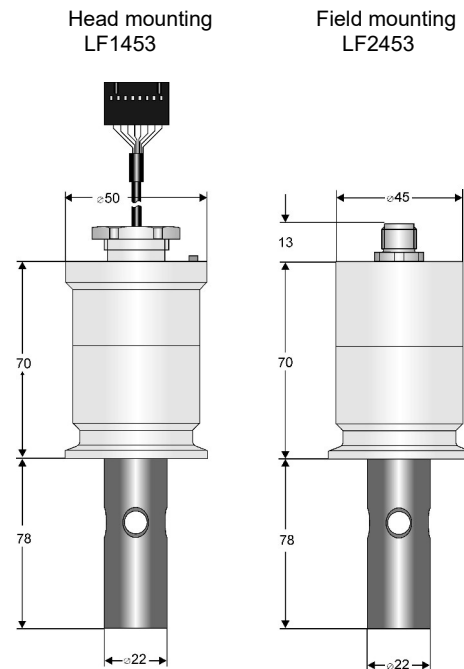
Characteristics

- 2-electrode ultra-pure water cell with Clamp connection acc. to DIN 32676 or Südmo Aseptic connection
- FDA compliant
- Application field: food industry
- Measuring range 0..0.5 µS/cm up to 0..50 µS/cm

Technical data

Cell constant	: C = 0.1 exact cell constant labeled on the type plate
Process temperature	: -10..+120 °C CIP-/SIP-capable 140 °C < 1 h
Process pressure	: max. 16 bar
Process material	: stainless steel 1.4404 electropolished; PVDF; seal EPDM, FDA-certified
<i>Electrical connection</i>	
LF1453	: flat cable connector, only head mounting UNICON-LF
LF2453	: 8 pole round connector plug M12x1, IP67
-Material	: brass nickel plated
Temperature measurement	: integrated Pt1000 sensor DIN IEC751, class A

Dimensions



Ordering code

LF - C0.1 -

1. Model	
1453	head mounting UNICON-LF
2453	field mounting
2. Options	
00	without option
03	8 pole round plug SS-type
11	Process connection Südmo Aseptic, DIN 11850