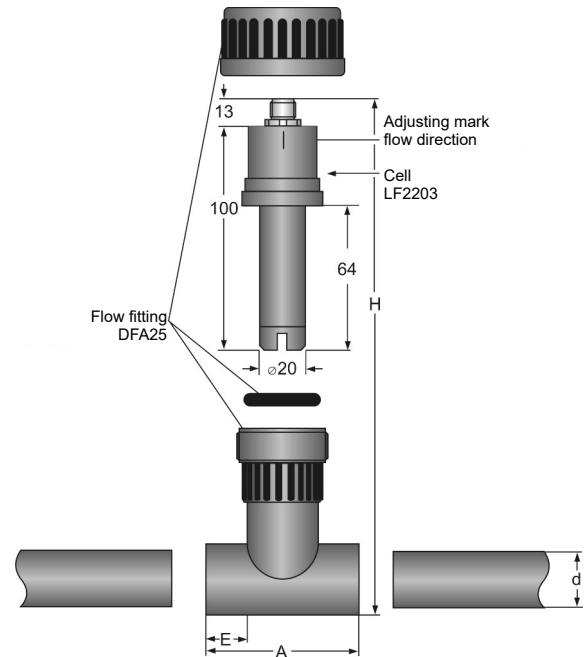


Produktinformation

Conductivity Cell LF2203



Dimensions



Characteristics

- 2-electrode conductive flow cell for pipe diameter 25-63 mm
- Measuring range 0..100 µS/cm up to 2 mS/cm

Technical data

Cell constant : C = 1.0 ± 3.5 %
 Operating temperature : 0..60 °C
 Process pressure : max. 16 bar at 22 °C
 Process material : graphite (electrodes), PVC-U acc. to DIN8061/8062
 Electrical connection : 8 pole round connector plug, M12x1, IP67
 -Material : brass nickel plated
 Temperature measurement : integrated Pt1000 Sensor DIN IEC751, class A

d	H	A	E
25	97	66	19
32	106	78	22
40	116	98	26
50	127	118	31
63	141	144	38

Ordering code

LF2203 - C1.0 -

1. Options	
00	without option
03	8 pole round plug SS-type
Accessories	
Flow fitting DFA 25 d = outer pipe diameter	
DFA25-25-1-1	d = 25 mm
DFA25-32-1-1	d = 32 mm
DFA25-40-1-1	d = 40 mm
DFA25-50-1-1	d = 50 mm
DFA25-63-1-1	d = 63 mm