

**Product Information**

**HR2VZ1-032..050**

**Flow switch  
HR2VZ1**



- Viscosity stabilised
- Individually calibrated display
- Compact design

**Characteristics**

Mechanical flow switch for fluid media, with spring-supported piston and magnetic triggering of a reed switch. Robust construction in brass or stainless steel.

**Technical data**

<b>Switch</b>	without	
<b>Nominal width</b>	DN 32 / 40 / 50	
<b>Process connection</b>	female thread G 1 1/4..G 2 (further process connections available on request)	
<b>Display range</b>	10..150 l/min	for details see table "Ranges"
<b>Pressure loss</b>	~ 4..7 bar at Q <sub>max</sub>	
<b>Q<sub>max.</sub></b>	up to 160 l/min	
<b>Tolerance</b>	±10 % of full scale value at constant viscosity	
<b>Viscosity-stability</b>	mean deviation ±7 %, max. 18 % (20-330 mm <sup>2</sup> /s) of full scale value	
<b>Pressure resistance</b>	PS 200 bar	
<b>Media temperature</b>	-20..+120 °C	
<b>Ambient temperature</b>	-20..+70 °C	
<b>Media</b>	oil	
<b>Electrical connection</b>	none	
<b>Materials medium-contact</b>	<i>Brass construction:</i> CW614N nickelled, CW614N, 1.4305, 1.4310, hard ferrite	<i>Stainless steel construction:</i> 1.4571, 1.4310, hard ferrite
<b>Non-medium-contact materials</b>	CW614N nickelled, PC, acrylic	
<b>Weight</b>	see table "Dimensions and weights"	
<b>Installation location</b>	Standard: horizontal inwards flow from the left; other installation positions are possible; the installation position affects the switching point and range.	

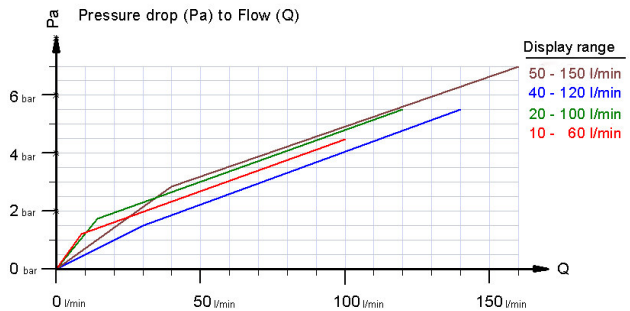
**Ranges**

Details in the table correspond to horizontal inwards flow with increasing flow rate.

Display range l/min oil 30-330 mm <sup>2</sup> /s	Q <sub>max.</sub> Recommended l/min	Pressure loss bar at Q <sub>max.</sub> oil
10 - 60	100	4
20 - 100	120	5
40 - 120	140	5
50 - 150	160	7

Special ranges are available.

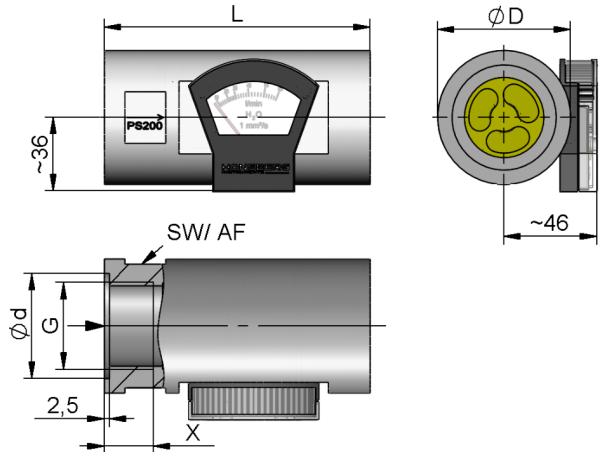
**Reference Data:**



Display spaces of the flow switch HR2VK1

**Dimensions and weights**

DN	G	Types	L	ØD	SW	Ød	X	Weight kg
32	G 1 1/4	HR2VZ1-032GM	130	65	60	51	23	2.5
40	G 1 1/2	HR2VZ1-040GM	170					
50	G 2	HR2VZ1-050GM	185	80	75	70	26	5.2



**Product Information**

**HR2VZ1-032..050**

**Handling and operation**

**Note**

- Include straight calming section of 5 x DN in inlet and outlet
- If the media are dirty, install a filter (use magnetic filter for ferritic components).
- Under unfavorable pressure conditions, e.g. with a free outlet, there is a risk of cavitation.

**Ordering code**

HR2VZ1 -  1.  2.  3.  4.  
**G**

<b>1. Nominal width</b>	
032	DN 32 - G 1 <sup>1</sup> / <sub>4</sub>
040	DN 40 - G 1 <sup>1</sup> / <sub>2</sub>
050	DN 50 - G 2
<b>2. Process connection</b>	
G	female thread
<b>3. Connection material</b>	
M	brass
K	stainless steel
<b>4. Display range H<sub>2</sub>O for horizontal inwards flow</b>	
060	10 - 60 l/min
100	15 - 100 l/min
120	40 - 120 l/min
150	50 - 150 l/min

**Options**

- Special values

**Ordering information**

- Specify direction of flow, medium, and display range.