

Product Information

HR2K2-032..050

Flow switch HR2K2

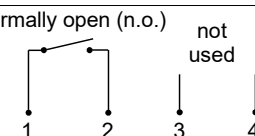


- Low pressure loss
- Solid construction

Characteristics

Mechanical flow switch for fluid media, with spring-supported piston and magnetic triggering of a reed switch. Robust construction in brass or stainless steel.

Technical data

Switch	reed switch	
Nominal width	DN 32 / 40 / 50	
Process connection	female thread G 1 1/4..G 2 (further process connections available on request)	
Switching range	15.. 80 l/min	for details see table "Ranges"
Pressure loss	~ 1 bar at Q _{max}	
Q_{max.}	up to 300 l/min	
Tolerance	±10 % of full scale value	
Pressure resistance	PS 200 bar	
Media temperature	-20..+120 °C	
Ambient temperature	-20..+70 °C	
Media	Water	
Wiring	No. 0.378 normally open (n.o.) not used 	
Switching voltage	max. 230 V AC	
Switching current	max. 0.5 A	
Switch performance	max. 50 VA	
Protection class	2 - Safety insulation	
Ingress protection	IP 67	
Electrical connection	for round plug connector M12x1, 4-pole	
Materials medium-contact	<i>Brass construction:</i> CW614N nickelled, CW614N, 1.4305, 1.4310, hard ferrite	<i>Stainless steel construction:</i> 1.4571, 1.4310, hard ferrite

Non-medium-contact materials	CW614N nickelled, PC, 1.4301,
Weight	see table "Dimensions and weights"
Installation location	Standard: horizontal inwards flow from the left; other installation positions are possible; the installation position affects the switching point and range.

Ranges

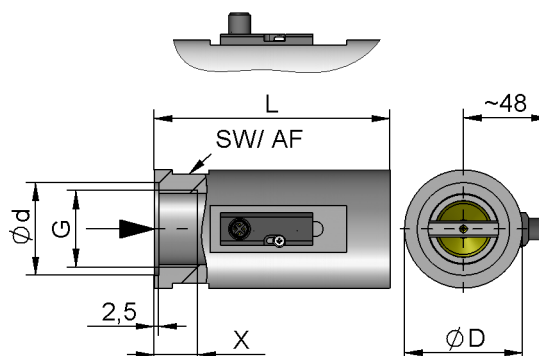
For switching ranges, the details in the table correspond to horizontal inwards flow and decreasing flow rate; for display ranges they correspond to horizontal inwards flow and increasing flow rate.

Switching range l/min H ₂ O	Display range l/min H ₂ O	Q _{max.} recommended
15 - 30	10 - 60	300
20 - 40	15 -100	300
25 - 50	20 -200	300
30 - 80	30 -300	300

Special ranges are available.

Dimensions and weights

DN	G	Types	L	ØD	SW	Ød	X	Weight kg
32	G 1 1/4	HR2K2-032GM	130	65	60	51	23	2.6
40	G 1 1/2	HR2K2-040GM	170			56	24	3.2
50	G 2	HR2K2-050GM	185	80	75	70	26	5.3



additional weights for options

Display O1 / Z1 0.05 kg

Product Information

HR2K2-032..050

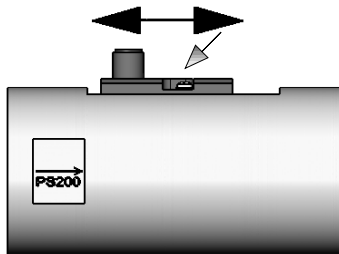
Handling and Operation

Note

- Include straight calming section of 5 x DN in inlet and outlet
- If the media are dirty, install a filter (use magnetic filter for ferritic components).
- It must be ensured that the values given for voltage, current, and power are not exceeded.
- When switched on, a load must be connected in series.
- The electrical details apply to ohmic loads. Capacitive, inductive and lamp loads must be operated using a protective circuit.

Adjustment

If it is necessary to adjust the switching value, the switching head can be adjusted lengthways. When the switching value is reached, the switching unit is fixed in place by a fastening bolt.



Ordering code

HR2K2 1. 2. 3. 4. 5.
 G

1. Display options	
-	no mechanical display
O1-	with measurement display at side O1
Z1-	with frontal measurement display Z1
2. Nominal width	
032	DN 32 - G 1 1/4
040	DN 40 - G 1 1/2
050	DN 50 - G 2
3. Process connection	
G	female thread
4. Connection material	
M	brass
K	stainless steel
5. Switching range H₂O for horizontal inwards flow	
030	15 - 30 l/min
040	20 - 40 l/min
050	25 - 50 l/min
080	30 - 80 l/min



HR2K2O1-



HR2K2Z1-

Options

- Special values
- two to four switching heads

Ordering information

- Specify direction of flow, medium, and switching range.