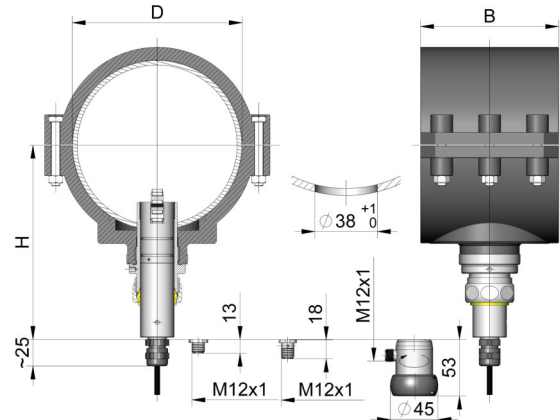


Product Information

BBI-032H

Tapping clamps

Dimensions



Features

The tapping clamps described below can be used for installation of impeller probes of the series RR.-032 in industrial PVC-U pipeline systems. Of course, they are also suitable for installation in pipeline systems made of other materials having the same outer diameters. They offer the advantage that they can be retrofitted without having to cut the pipeline or carry out welding work.

A bore hole diameter of only 38 mm is required. The nozzle of the tapping clamp immerses into this bore hole. The (curved) surface must be secured around the bore hole so that the seal is guaranteed by the O-ring affixed in the clamp.

Installation of the impeller probe in the clamp takes place with the clamping ring with union nut supplied with the probe.

The installation point should be chosen such that an uninterrupted (no valves, bends, edges, etc.) inlet and outlet section having a length of at least 10 times the inner diameter of the pipe is provided upstream and downstream from the probe.

Type	D	B	H
BBI-032H-063	63	71	145
BBI-032H-075	75	91	154
BBI-032H-090	90	91	156
BBI-032H-110	110	98	166
BBI-032H-125	125	101	167
BBI-032H-140	140	134	172
BBI-032H-160	160	137	180

Technical data

Wetted materials	Probe mount	PVC-U
	Clamp	Polypropylene
	Seal	Fluororubber FKM
Compressive strength	PN10	

Ordering code

BBI-032H- 1.

1.	For outer pipe diameter
063	63 mm
075	75 mm
090	90 mm
110	110 mm
125	125 mm
140	140 mm
160	160 mm