

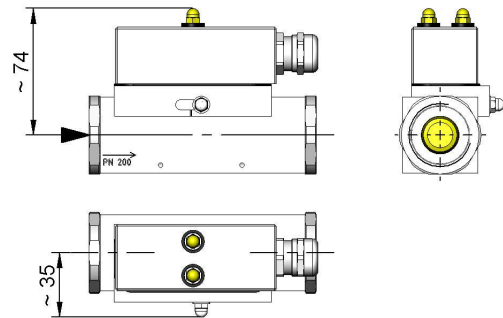
**Product information**

**ATEX A-H2.1**

# Switching head ATEX A-H2.1



**Dimensions**



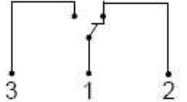
**For devices:**

- HD1K
- HD1KO
- HD2K
- HD2KO

**Characteristics**

Intrinsically safe switching head with reed switch and ATEX approval BVS 03 ATEX E390 X for the HD device series for use in intrinsically safe circuits.

**Technical data**

<b>Switch</b>	reed contact
<b>Media temperature</b>	-20...+120 °C
<b>Ambient temperature</b>	-20...+50 °C
<b>Electr. connection</b>	threaded hole M20x1.5 for cable gland or with mounted cable gland for cable diameters 7...13 mm internal screw terminals
<b>Wiring diagram</b>	SPDT no. 0.282 
<b>Switching voltage</b>	max. 30 V
<b>Switching current</b>	max. 1 A
<b>Internal capacity</b>	negligible
<b>Internal inductivity</b>	negligible
<b>Housing material</b>	stainless steel shifting plate: brass nickelled
<b>Protection class</b>	IP 65 according to industrial standard
<b>Weight</b>	0.35 kg
<b>Labeling</b>	I M1 Ex ia I Ma II 1G Ex ia IIC T4 Ga II 1D Ex ia IIIB T <sub>200</sub> 135°C Da

**Instructions for handling and operation**

- For use only in intrinsically safe circuits – provide suitable isolating amplifiers
- Cable lengths max. 5 m
- It must be ensured that the specified values for voltage and current are not exceeded.
- A load must be connected in series when connecting the switch.
- The electrical specifications apply to resistive loads. Capacitive, inductive, and lamp loads must be operated with protective circuitry.

**When used with HD1KO / HD2KO**

- The display contains plastic parts - do not open in an explosive atmosphere.

**Adjustment**

In the event of a required adjustment of the switching value, the switching head can be adjusted via a longitudinal adjustment. Upon reaching the switching value, the switching unit is fixed using a fastening screw.

**Order information**

The basic device (e.g. HD1K-015GM005A) is ordered plus switching head ATEX A-H2.1.

Art. no.	Order designation	Version
489129	ATEX A-H2.1-489129	threaded hole on the inlet side
489130	ATEX A-H2.1-489130	threaded hole on the outlet side
489131	ATEX A-H2.1-489131	cable gland on the inlet side
489132	ATEX A-H2.1-489132	cable gland on the outlet side