

Product Information

Switching head A-H1.1

For devices HD1K- HD2K-
 HD1KO- HD2KO-

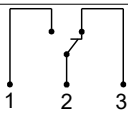
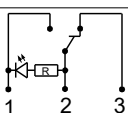


- I M1 Ex ia I Ma
- II 1G Ex ia IIC T4 Ga
- II 1D Ex ia IIIC T135°C Da

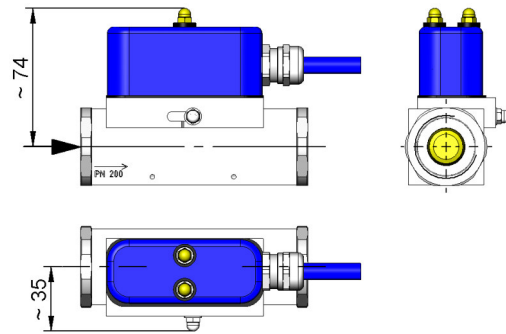
Characteristics

Intrinsically safe switching head with reed switch and ATEX approval, for the HD range of devices, for use in intrinsically safe power circuits.

Technical data

Switch	reed switch
Medium temperature	-20..+120 °C
Ambient temperature	-20..+50 °C
Weight	0.5 kg additionally
without signal lamp	
Wiring	transformer No. 0.213 
Switching voltage	max. 30 V
Switching current	max. 1.5 A
Switch performance	max. 50 W
with signal lamp	
Wiring	Transformer with signal lamp No. 0.208 
Switching voltage	max. 15 V, 28 V or 36 V
Switching current	max. 1.5 A
Switch performance	max. 50 W
Protection class	3 - Protective extra low voltage
Ingress protection	IP 65
Electrical connection	cable 2.5 m, other cable lengths up to max. 5 m are optionally available

Dimensions



Handling and operation

Note

All

- For use only in intrinsically safe power circuits - provide a suitable isolating amplifier.
- Cable lengths max. 5 m.
- It must be ensured that the values given for voltage, current, and power are not exceeded.
- When switched on, a load must be connected in series.
- The electrical details apply to ohmic loads. Capacitive, inductive and lamp loads must be operated using a protective circuit.

HD1KO- / HD2KO-

- Display with plastic parts - do not open in an explosive atmosphere.

Adjustment

If it is necessary to set the switching value, the switching head can be adjusted lengthways. When the switching value is reached, the switching unit is fixed in place by a fastening bolt.



Ordering code

The basic device is ordered e.g. HD1K-015GM005A with Switching head e.g. A-H1.1-1.

A-H1.1 - 1.

1. Wiring - switching voltage	
1	wiring no. 0.213 - 30 V
2	wiring no. 0.208 - 15 V
3	wiring no. 0.208 - 28 V
4	wiring no. 0.208 - 36 V