

MULTICON-H

MULTI-CHANNEL CONTROLLER

CHARACTERISTICS

The Multi-Channel Controller MULTICON-H allows the connection of up to 5 digital sensors and a frequency-emitting flow sensor.

Operation is carried out via a user-friendly TFT display with intuitive menu navigation, enabling easy installation, configuration, maintenance (e. g., calibration), and operation of the system.

A flow meter with frequency output can be connected and configured through the binary additional input. The operation and configuration capabilities of MULTICON-H automatically initialize the digital sensors for easy integration and sensor replacement.

Process values and diagnostic information are provided via Ethernet. Integration is done through the PROFINET IO protocol and the provided GSDML device description file.

The configuration of the system (both MULTICON-H and connected sensors) can be conveniently done using the SENSware configuration software and the included USB-C connection.

For configuration purposes, the system can be powered via USB, eliminating the need for a separate auxiliary power supply.



www.senseca.com



SMART TECHNOLOGY

- Easy integration via PROFINET IO



EASY TO SET UP

- USB-C centralized configuration of complete system
- Fast sensor network setup and service exchange thanks to automated sensor addressing



RELIABLE

- Robust field housing for rough environment



GREAT FLEXIBILITY

- Installation anywhere (field or panel)
- Connection of up to 5 digital sensors and a frequency-emitting flow sensor
- Separate input for a flow meter (frequency)



CENTRALIZED CONTROL

- View all sensors process values at on time
- Get detailed information for single sensor
- Edit sensors parameters using only one device
- Start and control sensors calibration
- Monitor sensors calibration intervals and systems diagnosis messages from central position.



SAFE OPERATION

- 3-level user access control

Technical Data

Power supply

Supply voltage 10...30V DC or 5V with USB (configuration)

Isolation Supply / Input / Communication

Power consumption <5VA

Operating temperature -10...50 °C

Conformity CE

Input flow

Type TTL or PNP

Frequency 2kHz , max.

Refresh rate 0.1...10s

Switching threshold

- Low <2V

- High 4...30V

Input resistance: 40kOhm

Input digital sensors

Transmitter supply 24V DC, 500mA max.

Interface RS485

Protocol Modbus RTU

Topology Line

Number of sensors 5 max. in any configuration

Field bus

Protocol PROFINET IO (RT)

Port Ethernet 1 Port, 4-pole,
Single conductors 100MB/s, max.

Topology Star or end-device in line

Available values Process values, Diagnosis values

Display

Type 3.5" TFT color display

Resolution 480x320p

Housing

Mounting:

- Field inside mounting drilling

- Cabinet DIN 96²
Gasket and mounting brackets included

Materials Housing polyamide glass fiber reinforced
PA6-GF/GK 15/15, front foil polyester

Protection class IP65

Weight 360 g, max.

Electrical connections

Terminals Push-In
2.5 mm² flexible, 4 mm² wire or
plugable connection cable

Cable feed 1 x 5-pole round plug (ProfiNet)
1 x Cable gland

Configuration

Scope MULTICON-H and Sensors

Connector USB-C (MULTICON-H supply possible)

PC-Software SENSware (separate Download)

Dimensions

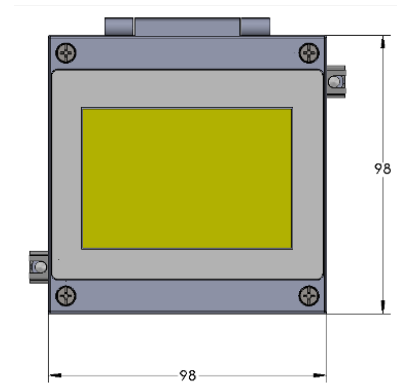


Fig. 1: Front view

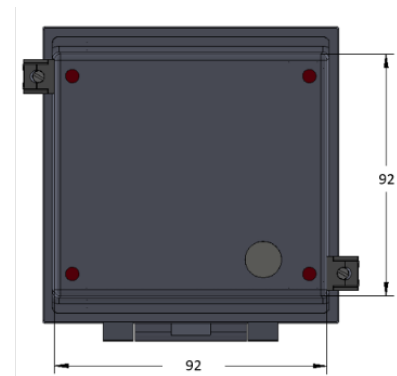


Fig. 2: Back view

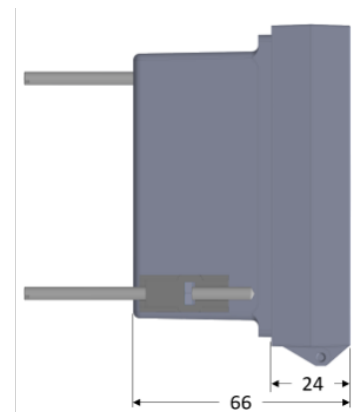


Fig. 3: Site view (front /left)

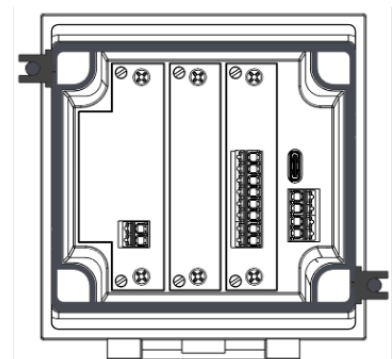


Fig. 4: Electrical connections

Ordering Code

MULTICON - 1. - 2. - 3. - 4. - 5. - 6.

1.	Model	
	H	6 sensors
2.	IO Slot A	
	DI	5 x digital sensors, 1 x flow sensor (Frequency)
3.	IO Slot B	
	00	Not fitted.
4.	Power Supply	
	5D	14...30V DC, galv. isolated
5.	Communication	
	PN	1 x ProfiNet IO
6.	Options	
	00	without option

Accessories

Type	Description
CONDIX2603	Pure water conductivity sensor, G1/2A (stainless steel; PVC-U or PA)
CONDIX4613	Wide range conductivity sensor, G1/2A (graphite; PVC-U)
CONDIX4623	Wide range conductivity sensor, G3/4A, G1A (graphite; PVDF)
CONDIX4213	Wide range conductivity sensor, union nut (graphite; PVC-U)
PHIX	digital pH or ORP transmitter for electrodes with S8 or VP connector
SENSware	Download: www.senseca.com
EYY220	Programming adapter
DFA32	Flow fitting for CONDIX4213
ACI113-00	Field attachable 8-pole female connector, Belden RKC8/9, Brass nickel plated
ACI113-VA	Field attachable 8-pole female connector, Binder 713, stainless steel
ACI113-002-1-00	-pole female connector M12 (Brass nickel plated) with shielded cable and wire-end ferrules: 2 m
ACI113-005-1-00	8-pole female connector M12 (Brass nickel plated) with shielded cable and wire-end ferrules: 5 m
ACI113-010-1-00	8-pole female connector M12 (Brass nickel plated) with shielded cable and wire-end ferrules: 10 m
ACI113-025-1-00	8-pole female connector M12 (Brass nickel plated) with shielded cable and wire-end ferrules: 25 m

Note: Additional digital modbus sensors integrateable on request.

Connection diagram

