

### GENERAL CHARACTERISTICS



The principle of operation is, based on the gradual shutdown of a chain of resistors and reed contacts, placed inside the guiding rod, by a magnetic float. The only moving element is the float that moves, for buoyancy, along the measuring rod. This ensures a high degree of reliability.

- **Stainless steel – AISI 316**
- Measuring resolution 5 – 10 – 20 mm.
- Local indicator 4 digit (9999)
- Display and electrical connection are independently rotatable 335°/343°
- Analogue output switchable mA or V
- Parametrization via NFC communication system through APP
- Integrated datalogger function
- Up to 6m length.
- Maximum working pressure 50 Bar
- Operating ambient temperature -30/+55°C UR 90%.
- Standard working temperature up to 105°C.
- Minimum degree of protection IP65.



### FLOATS

Tab.1

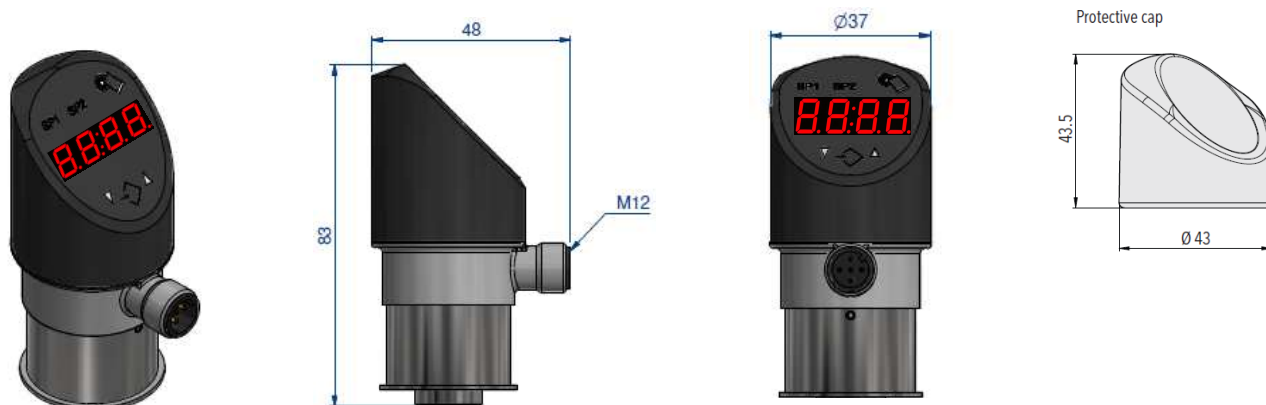


	S29 Ø30x32	S29 Ø30x32	S40 Ø40x52	S52 Ø52 (S)	S52 Ø52x68	S100 Ø100
Material	Stainless steel – AISI 316					
Specific gravity	0,75	0,55	0,78	0,7	0,65	0,6
Measuring resolution - mm	5	5	20	5	10 – 20	10 – 20
Max. bar	30	10	15	50	40	15
Max. °C - Class	L = 105°C N = 130°C (option – with heatsink)					

### ELECTRICAL OUTPUT – DIMENSIONS

Tab.2

LCD	Adjustable		Protective cap
IP65 Housing	Head display 335° max rotatable	M12 connection 343° max rotatable	On request



## PROCESS CONNECTIONS

Tab.3

All type of floats All type of thread	Float type	LC – LCT – LCTV – LCO type = Installation from outside						
		25 1"	32 1-1/4"	40 1-1/2"	50 2"	FSHX Flange	DN65 Flange	DN125 Flange
	S29	G	G-C-N	G-C-N	-	•	-	-
	S32	G	G-C-N	G-C-N	-	•	-	-
	S40	-	-	G	G-C-N	-	-	-
	S52S	-	-	-	G-C-N	-	•	-
	S52	-	-	-	G-C-N	-	•	-
	S100	-	-	-	-	-	-	•

### Male thread

G	C	N
Parallel UNI 228/1	Conical UNI 7/1	Conical NPT

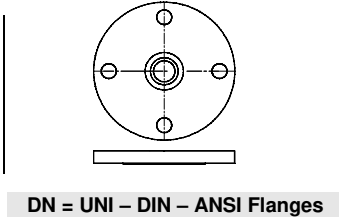
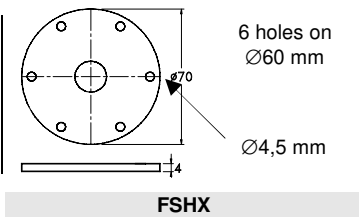
### Available materials

S
AISI-316

### DN = Available materials

S	C
AISI-316	Steel On request

### FLANGES Dimensions in mm.



- A Flanged connection
- A1 Threaded connection

## WIRING

Ingress Protection	IP67
Designation	M12x1 5-pole
Type code	
Pin configuration	

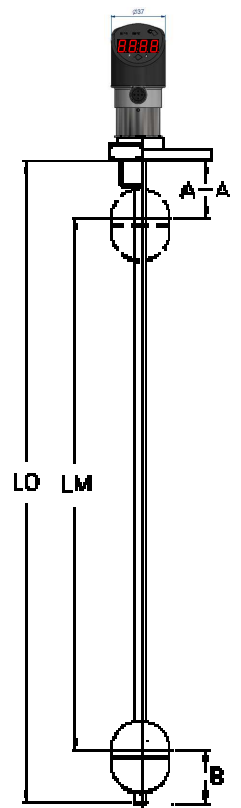
## DIMENSIONS mm.

Tab.4

The dimensions L0 and LM are referred to the stop of the fitting (A1) or flange (A) connection.  
Tolerance on dimension L0 and LM ± 3 mm.

	S29	S32	S40	S52 (S)	S52	S100
<b>A</b>	15	15	25	25	35	50
<b>A1</b>	35	35	45	45	55	-
<b>B</b>	25	25	30	30	40	60

<b>Damping tube</b> On request	-	- S AISI-316	- V PVC
-----------------------------------	---	-----------------	------------



## NOMENCLATURE

LCD	S52	10	1300 / 1400	S	- S	50	G	S	DS	L	
•											Type: <b>LCD</b>
	•										Tab.1 Float
		•									Tab.1 Measuring resolution (mm).
			•								Tab.4 Measuring length LM / Total length L0 (mm).
				•							Tab.3 Rod material.
					•						Tab.4 Damping tube (option).
						•					Tab.3 Process connection dimension.
							•				Tab.3 Process connection thread.
								•			Tab.3 Process connection material.
									•		Tab.2 Electrical output.
										•	Tab.1 Temperature class.