

Isolating signal converter TV 500 ... with integr. transmitter supply ST 500

Features

- Switch selectable inputs
0/4 ... 20 mA and 0/2 ... 10 V
- Switch selectable outputs
0/4 ... 20 mA simultaneous 0/2 ... 10 V
- Supply voltage 100 ... 265 V AC
or 10.8 ... 30V AC/DC
- Full 3-port isolation
- Integrated transmitter supply
(only ST500)
- Power on LED
- 22.5mm case for DIN rail mounting



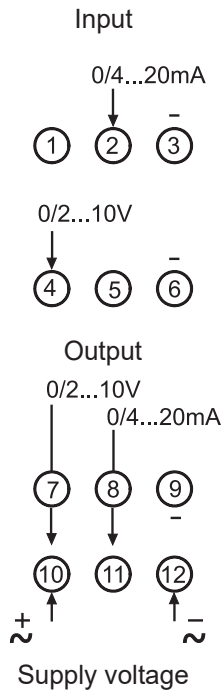
General information

TV500 isolating signal converter can be used to isolate and convert field signals 0/4 ... 20 mA or 0/2 ... 10 V DC into industry standard signals for process control systems. The ST500 provides a fully floating isolated transmitter supply.

Short information

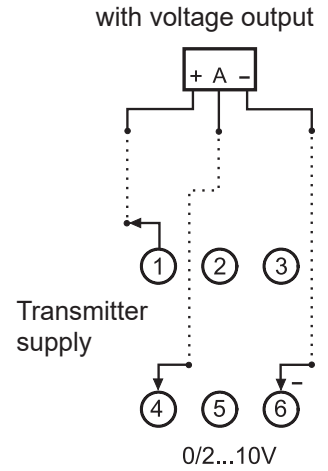
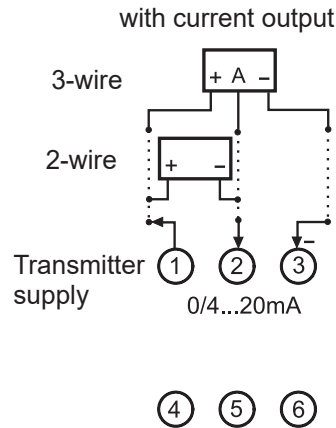
Current output	max. burden 1 k Ω for direct controlling of I/P transmitter and 20 mA proportional valves
Multi-range	input and output can be configured by DIP-switch at the front panel for 0/4 ... 20 mA or 0/2 ... 10 V DC
Transmission frequency	measuring range 10: max. 18 Hz ($T_{90} < 20$ ms), measuring range 11: max. 1 kHz ($T_{90} < 100$ μ s) .

Connection diagrams TV500

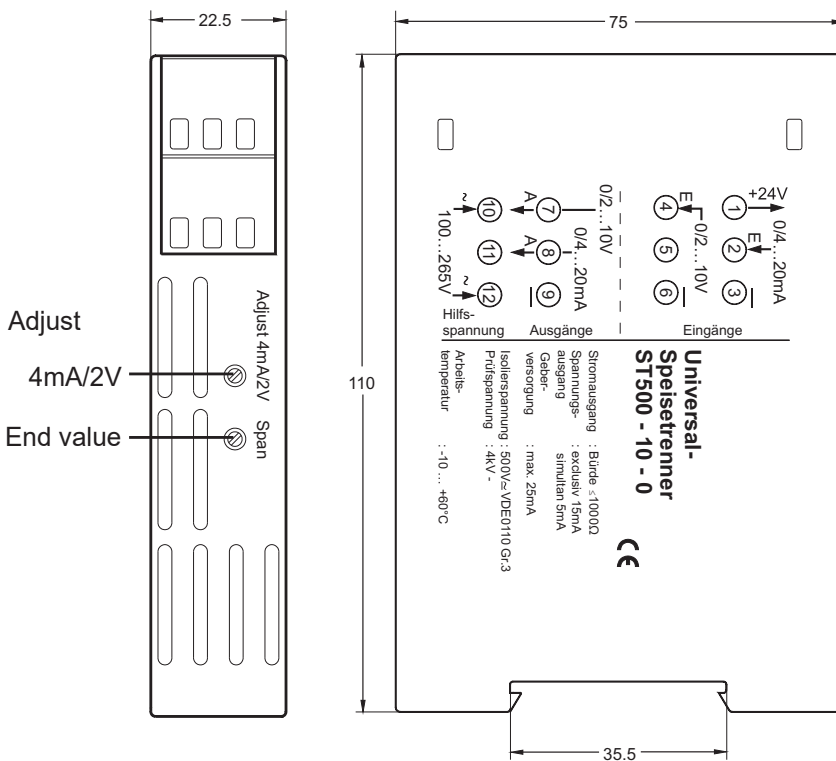


ST500

Connection of sensors

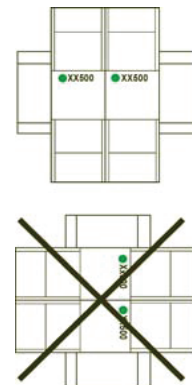


Dimensions



Caution!

Mounting of multiple units without distance is only permitted in horizontal orientation.



TH35 DIN rail mounting

Ordering code

1. 2. 3.
 - -

1. Device type

TV500 Isolating Signal converter
ST500 Power feed signal converter

2. Measuring ra

10 Inputs 0/4 ... 20 mA and 0/2 ... 10 V DC
 Outputs 0/4 ... 20 mA and 0/2 ... 10 V DC
11 as 10, but rise time $t_{90} < 100 \mu\text{s}$

3. Hilfsspannung

0 100 ... 265 V AC
5 10,8 ... 30 V AC/DC



Isolating converter are available as EX-i devices.
Please ask for more details