

# OPERATING MANUAL

## TG50Ex

### Temperature-Guard

Pt100/Pt1000

Thermocouple J, K, N, S



umn\_fam\_tg50ex\_vs2.08\_en



## Table of contents

<b>1</b>	<b>Product description .....</b>	<b>3</b>
1.1	Features.....	3
1.2	General .....	3
1.3	Short information .....	3
<b>2</b>	<b>Technical data.....</b>	<b>4</b>
<b>3</b>	<b>Connection diagram and dimensions .....</b>	<b>6</b>
<b>4</b>	<b>Controls and indicators.....</b>	<b>7</b>
<b>5</b>	<b>Working level.....</b>	<b>9</b>
<b>6</b>	<b>Configuration level .....</b>	<b>10</b>
<b>7</b>	<b>Error reports.....</b>	<b>15</b>
<b>8</b>	<b>Ordering code.....</b>	<b>16</b>

# 1 Product description

## 1.1 Features

- Input intrinsically safe ATEX II (1) G [Ex ia] IIC/IIB  
ATEX II (1) D [Ex iaD]  
Pt100, Pt1000 and thermocouple J, K, N und S
- Measuring range programmable
- Basic accuracy 0.1 % +/- 1 Digit
- Simulator function
- Fault monitoring for break of wire and short-circuit in the measuring circuit  
Programmable fault function : Analog output min. or max. overflow
- Alarm outputs min. or max. function
- 2 alarm outputs (relay SPDT)
- Isolated analog output 0/4 ... 20 mA; 0/2 ... 10 V DC
- Full 3-port isolation

## 1.2 General


The Temperature-Guard TG50Ex offers intrinsically safe inputs for direct connection of temperature probes RTD (Pt100,Pt1000) and thermocouples type J, K, N or S which are installed in the explosion endangered area.

Simple programming, to 2 alarm outputs (SPDT) and optional available fully free programmable isolated analog output 0/4 ... 20 mA; 0/2 ... 10 V DC offers a lot of solutions for temperature monitoring. Peak value indication for minimum and maximum measured temperature are stored in the background and can be read out from the display at any time.

## 1.3 Short information

Programming	The device is programmed by frontal buttons, in connection with the LCD display.
Input	Pt100/Pt1000, 3-wire connection or thermocouple type, J, K, N or S.
Alarm outputs	The alarm outputs can be programmed as max. or min. function. Switch-on delay and switch-off delay time is programmable from 1 s up to 9 h. The switching status is displayed through LED´s.
Fault function	A fault in the measuring circuit could be monitored (break of wire/short-circuit). The switching function of the analog and alarm output(s) is programmable in case of an fault.

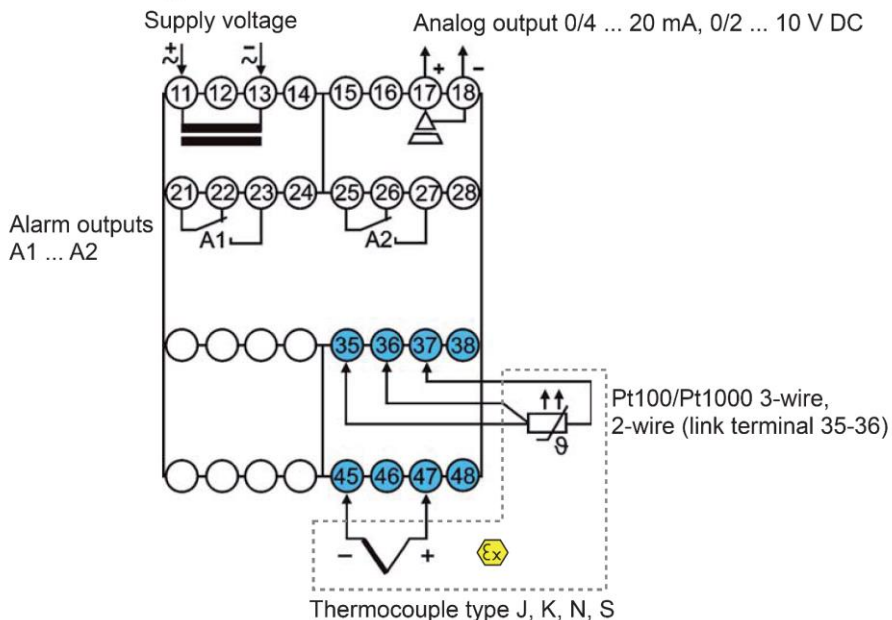
## 2 Technical data

<b>Power supply</b>	
Supply voltage	230 V AC $\pm 10\%$ , 115 V AC $\pm 10\%$ , or 24 V DC $\pm 15\%$ $U_m = 253$ V AC or 125 V DC (Terminals 11 and 13)
Power consumption	< 5 VA
Operating temperature	-10 ... +55 °C (14 ... 131 °F)
Rated voltage	250 V between input/relay output/analog output/supply voltage degree of pollution 2, overvoltage category III
Test voltage	4 kV DC between input/relayoutput/analog output/supply voltage
Conformity	CE
Explosion protection	 II (1) G [Ex ia] IIC/IIB bzw. II (1) D [Ex iaD]
Approval	TÜV 08 ATEX 554329
<b>Inputs</b>	
Fault detection	Break of wire (RTD, Thermocouple) and short-circuit (only RTD)
Input	Pt100 (3-wire) -100.0 ... 600.0 °C / -100 ... 600 °C Pt1000 (3-wire) -100.0 ... 300.0 °C / -100 ... 300 °C (Terminals 35, 36, 37) Thermo couple (TC) Type J -100.0 ... 800.0 °C / -100 ... 800 °C Type K -150 ... 1200 °C Type N -150 ... 1200 °C Type S -50 ... 1600 °C cold junction compensation integrated (Terminals 46 and 47)
Basic accuracy	<0,1 %, $\pm 1$ Digit
Temperature coefficient	0,01 %/K
<b>Safety data</b>	
Max. voltage (no load) $U_0$	1,4 V
Max. short circuit current $I_0$	2,5 mA
Max. power consumption $P_0$	3 mW

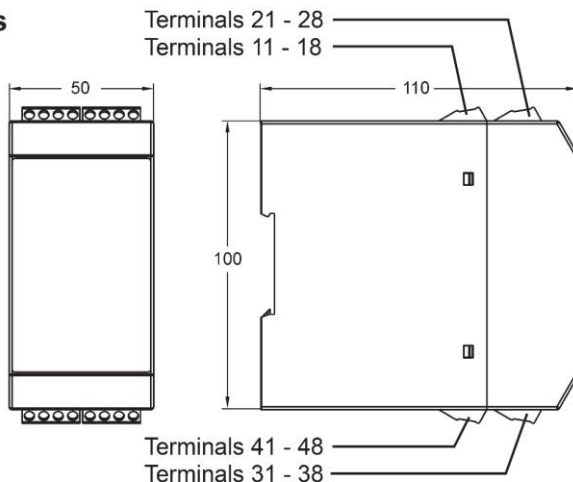
Resistance	5600 $\Omega$		
Characterisitic curve	trapezoidal		
Internal inductivity	4 $\mu$ H		
Internal capacity	135 nF		
<b>Explosion protection</b>	<b>Ex</b>	<b>ia/IIC</b>	<b>ia/IIB</b>
Maximal ext. inductivity		100 mH	100 mH
Maximal ext. capacity		25 $\mu$ F	120 $\mu$ F
<b>Outputs</b>			
Alarm outputs A1-A2	Relay SPDT < 250 V AC < 250 VA < 2 A $\cos \varphi \leq 0.3$ , < 300 V DC < 40 W < 2 A (Terminals 21, 22, 23; 25, 26, 27)		
Analog output	0/4 ... 20 mA burden < 500 $\Omega$ ; 0/2 ... 10 V burden >500 $\Omega$ , galv. isolated, output changes automatically (burden impedance dependent)		
Accuracy	0.2 %; TK 0.01 %/K For connection at electrical equipment with supply voltage of max. 230V (Terminals 17 and 18)		
Fault function	For break of wire or short-circuit detection -belongs to the model <ul style="list-style-type: none"> <li>• E Analog output 0 mA, &lt; 3.6 mA or &gt; 21.5 mA programmable</li> <li>• E Alarm output(s) min. or max. function programmable</li> </ul>		
<b>Display</b>	Graphic LCD-Display 128x64 pixels, white background illuminated		
<b>Case</b>	Polyamide (PA) 6.6, UL94V-0, DIN rail mounting TH 35		
<b>Weight</b>	approx. 450 g		
<b>Connection</b>	Screw terminals 0.14 2.5 mm <sup>2</sup> (AWG 26 .. 14)		
<b>Protection</b>	Case IP30, terminals IP20, German BGV A3		

### 3 Connection diagram and dimensions

#### Connection diagram

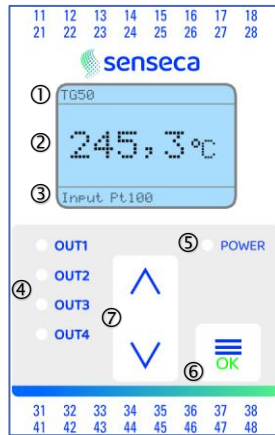


#### Dimensions






## 4 Controls and indicators





- ① Device name
- ② Measured value
- ③ Input signal
- ④ Alarm output A1...A4
- ⑤ Power-ON LED
- ⑥ Parameter button
- ⑦ Up/down buttons





### Description

The operation of the device is implemented in 2 levels. The required parameter is called up with the button . The selection within a parameter and the setting-adjustment of a value is implemented with the buttons  and .

Button combinations (press buttons simultaneously):

-  +  1 parameter back
-  +  Parameter is set to "0" or minimum value.

After the switching on the supply voltage, the device initializes itself. In the display the message indicating device type and software version is shown. After the initialization, the device is running in the working level. The peak value storage is called up and the setpoints of the alarm outputs can be programmed.

The configuration level is called up by activation of the button  for 2 seconds. In this case, all parameters which determine the properties of the device are programmed. After the last menu item, or if no button is pressed for longer than 2 minutes, a skip-back into the working level is implemented automatically and the current measured value is indicated in the display. The configuration level can be exited at any time by holding down button  for 2 seconds.

## Error reports

In case of occurring faults, the messages are shown on the display in plain text. This simplifies location of the error. See explanation page 17

### Operational startup reference!

The device is preset with an ex-works default setting. Therefore, it must be adapted to each special application. See Page 11.



#### **Danger!** Requirements

- ▶ It is necessary to keep the conditions of the ATEX EC-Type Examination Certificate.
- ▶ The device must be installed in dry and good monitored rooms.
- ▶ If the intrinsic safety input is connected to the dust hazardous area of zone 20 or 21, it has to be ensured that the corresponding devices in this circuit have the requirements of category 1D or 2D.
- ▶ Repairing and design modifications are only allowed at works.



### Note on the representation

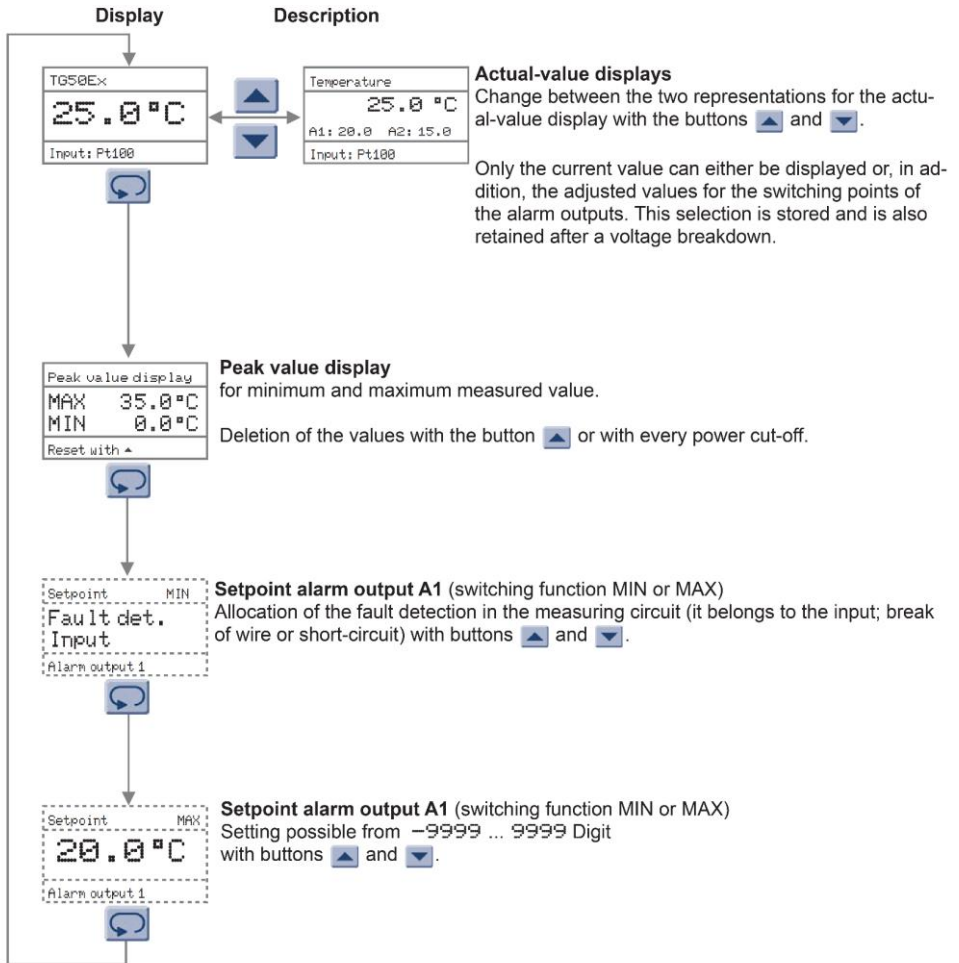


Parameter appears only with corresponding configuration

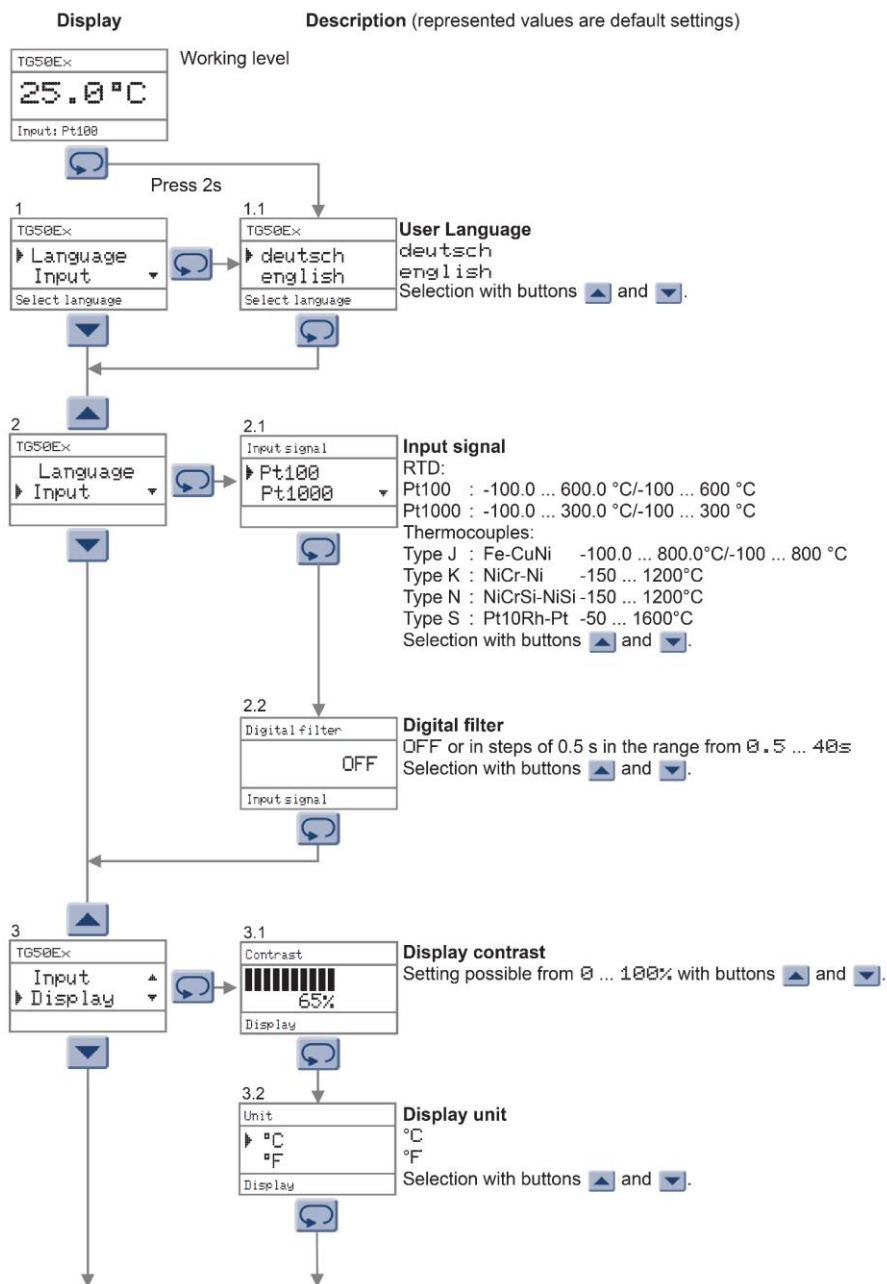


Parameter appears only with corresponding equipment version

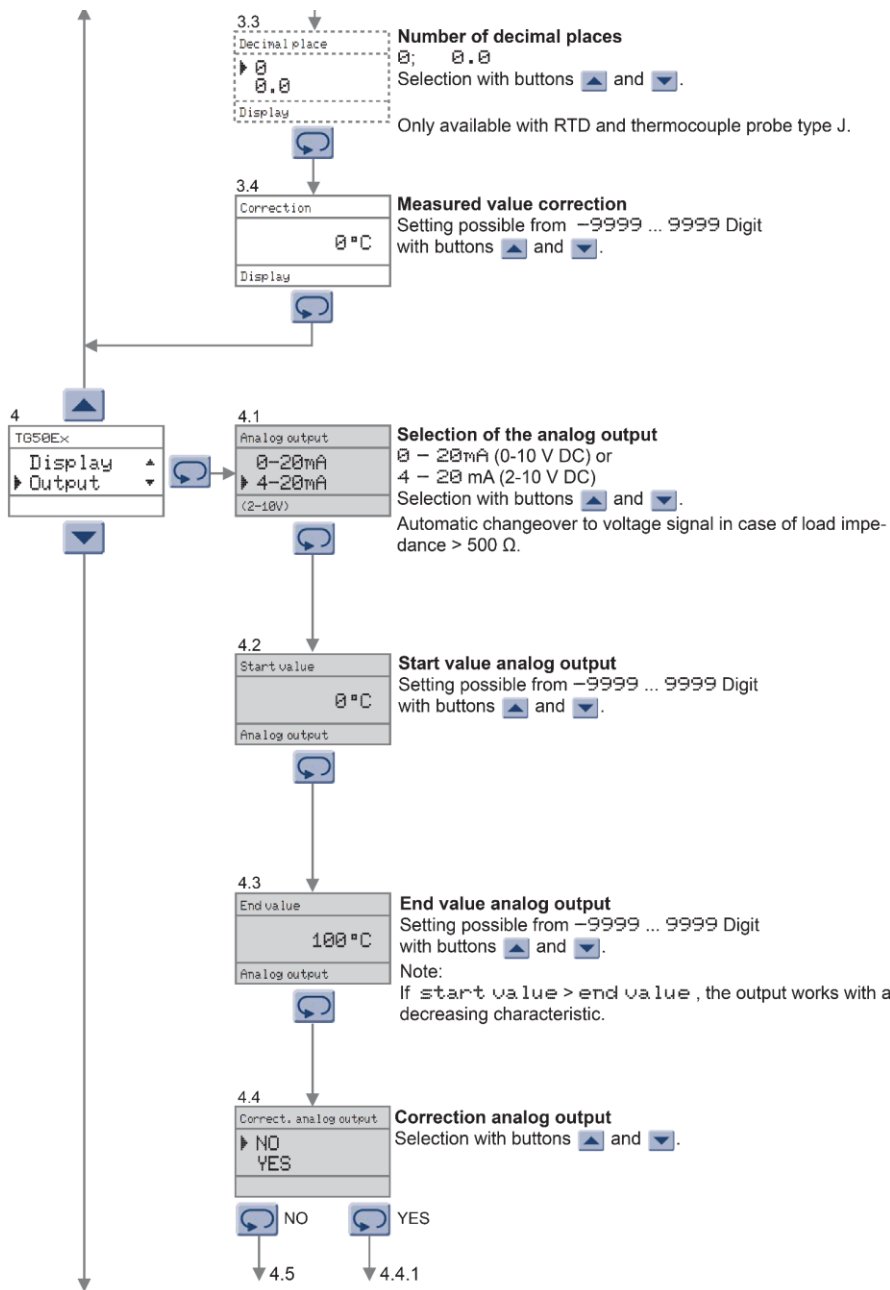
## 5 Working level



## 6 Configuration level

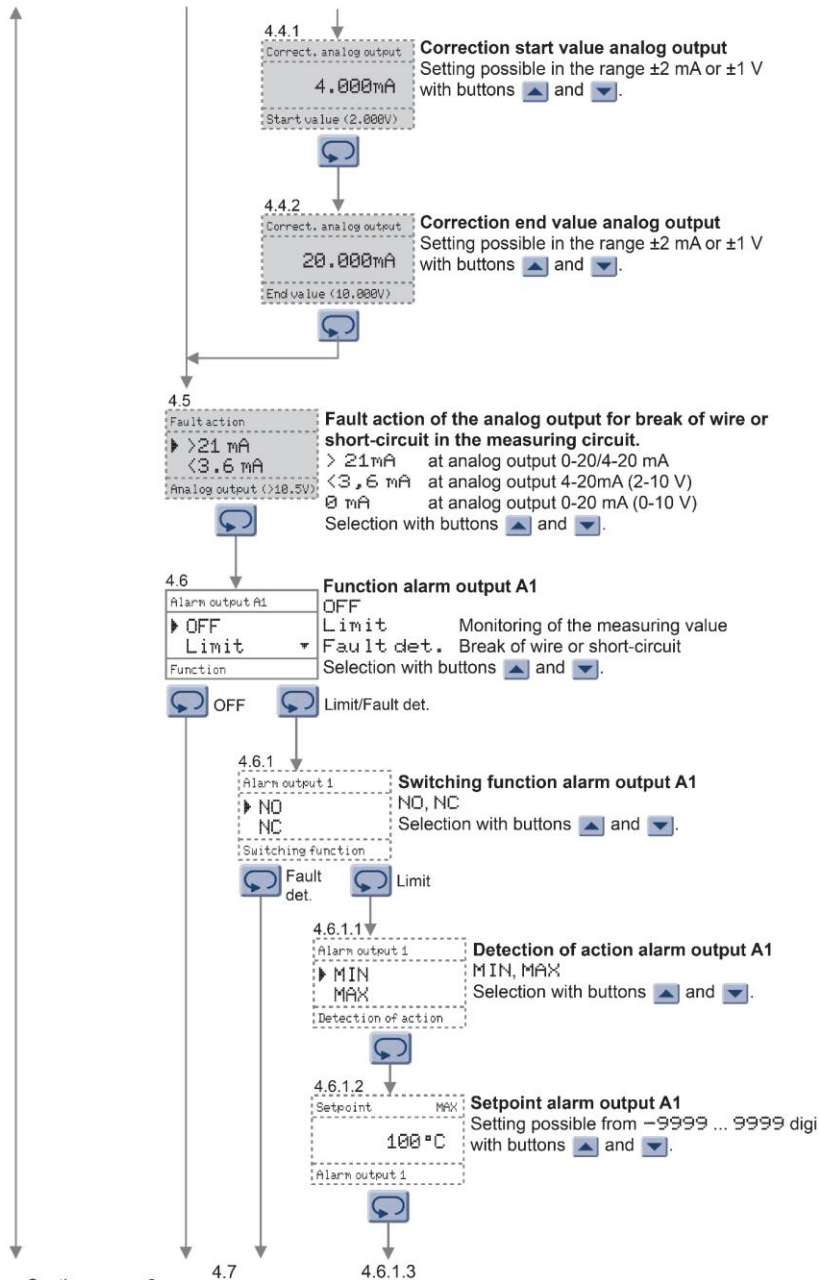


Continue page 11

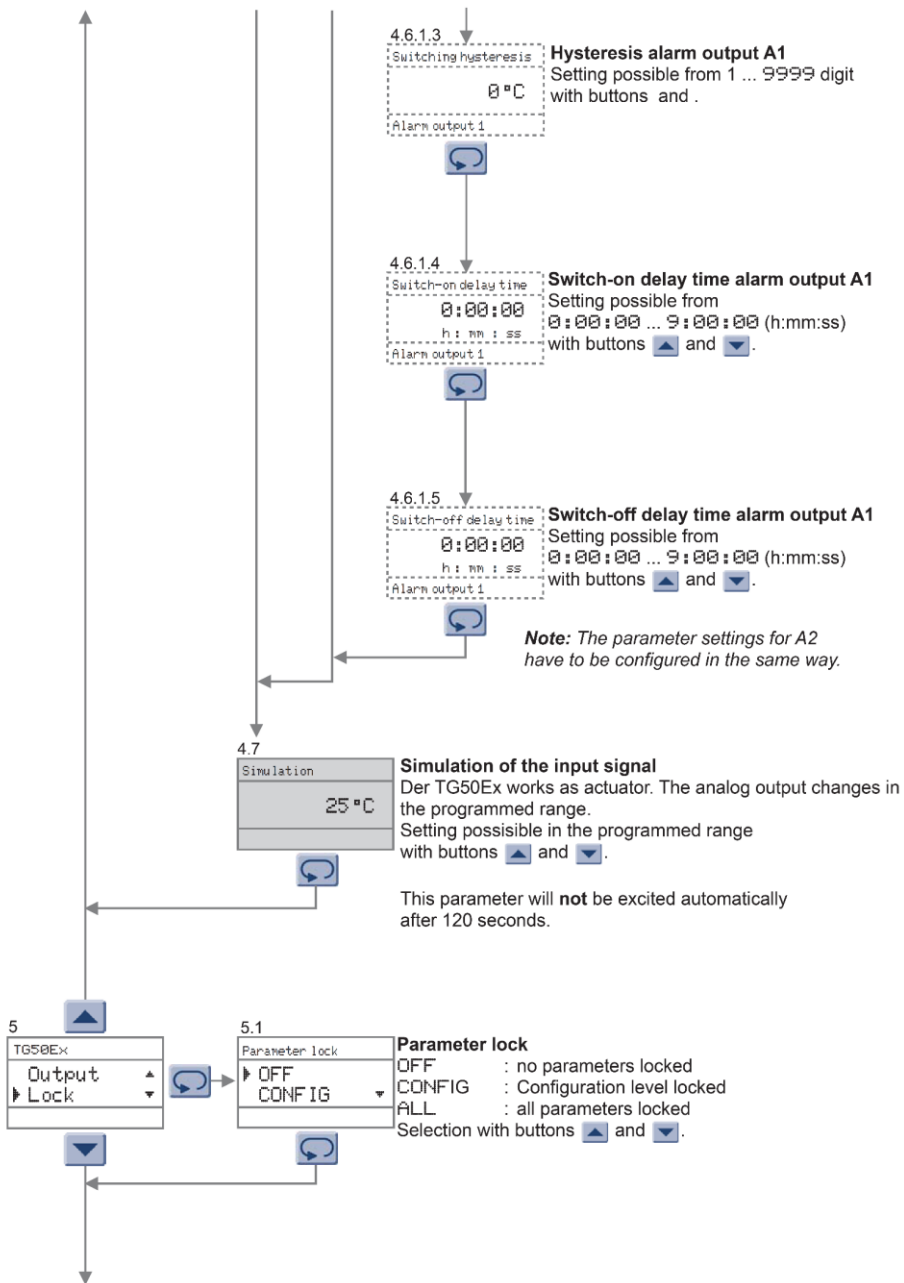


Continue page 13

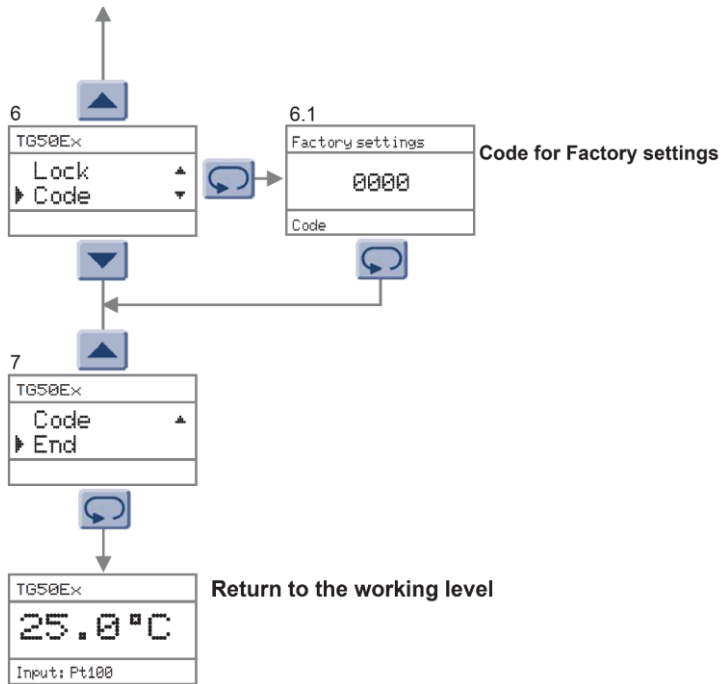
Continue page 12



Continue page 13



Continue page 14



## 7 Error reports

Caution!
Parameter locked
switched on

The parameter can not be changed, because the parameter lock for the configuration level, or work and configuration level, is activated.

Caution!
Undervoltage

Supply voltage to low

Caution!
XX Parameter error
Please check

At the check-up of the parameter memory, XX errors are detected. The incorrect parameter are reset to the factory settings. Please check and correct parameters if necessary.

Caution!
XX Parameter error
Calibration necessary

As before, but the factory settings are incorrect. The device must be checked at works.

Change of decimals?
Some parameters not representable! Adapt parameters automatically?
▲ Yes      ▼ No

Change of decimal places

While changing number of decimal places, some parameters can be converted, but however, not represented!

Selection "No" : Change of the decimal places is not carried out.

Selection "Yes" : Decimal places are changed automatically, where the affected parameters are set to the maximum possible value. A subsequent verification of the accepted parameters is absolutely necessary.

TG50EX
Fault input
Input: 9999 °C

Break of wire or short-circuit in the measuring circuit.

Text Input: 9999 °C is flashing.

## 8 Ordering code

TG50Ex -  1. -  2. -  3. -  4. -  5. -  6.

1. Input			
3	Pt100	3-wire	-100,0 ... 600,0 °C/-100 ... 600 °C
	Pt1000	3-wire	-100,0 ... 300,0 °C/-100 ... 300 °C
	Thermocouple	J (Fe-CuNi)	-100,0 ... 800,0 °C/-100 ... 800 °C
		K (NiCr-Ni)	-150 ... 1200 °C
		N (NiCrSi-NiSi)	-150 ... 1200 °C
		S (Pt10Rh-Pt)	-50 ... 1600 °C
	Inputs intrinsically safe	ATEX II (1) G [Ex ia] IIC/IIB ATEX II (1) D [Ex iaD]	
2. Alarm outputs			
2R 2 relay outputs		A1, A2 SPDT	
3. Alarm outputs			
00 not installed		(not available)	
4. Analog outputs			
00 not installed			
AO Analog output		0/4 ... 20 mA; 0/2 ... 10 V DC	
5. Supply voltage			
0	230 V AC	± 10 %	50-60 Hz
1	115 V AC	± 10 %	50-60 Hz
5	24 V DC	± 15 %	
6. Options			
00 without option			

Works configuration according to customer specifications.







senseca.com



Senseca Germany GmbH

Tenter Weg 2-8

42897 Remscheid

GERMANY

[INFO@SENSECA.COM](mailto:INFO@SENSECA.COM)

WEEE REG. NO. DE 93889386

