

Resistance-Transmitter RT 500

Resistance range from 0...50 Ω to 0...100 k Ω

Features

- 12 Bit AD/DA processor technology with 250 Hz realtime execution
- Teach-in programming for initial and final value
- 2- and 3-wire connection
- Output for 0/4 ... 20 mA, simultaneous 0/2 ... 10 V
- Increase or decrease output characteristic programmable
- Operation mode indicated by 2-color LED
- Supply voltage 85 ... 265 V AC or 10 ... 30 V AC/DC
- 22.5 mm case for DIN rail mounting



General information

RT500 transmitter converts a resistance- or potentiometer signal into industry standard signals. Initial and final value may be in the range of 0...100 kOhm. Easy programming by Teach-in. The measuring range will be selected automatically. The input circuit is designed in 3-wire technology and can provide compensation of the line resistance. The linear output-signal is generated between minimum and maximum input resistance.

Short information

Programming	input programming and output configuration is selected with DIP switches at the front panel
Watch-dog	watches program running and provides auto-reset in case of an error
Data memory	protection against power failure
Current output	maximum burden 1 k Ω

Technical data

Power supply

Supply voltage : 85 ... 265V AC or 10 ... 30V AC/DC
Frequency AC : 47 ... 63 Hz
Power consumption : < 3VA
Operating temperature : -10 ... +50 °C (14...140°F)
Rated voltage : 250V AC, pollution degree 2, overvoltage cat. 2
Test voltage : 3 kV, 50 Hz, 1 min. between input, output / supply voltage

Input

Resistance range : Rmax: 50 Ω ... 100 kΩ, cond.: $\Delta R \geq 0.5 R_{max}$ (lower values on request)
increasing or decreasing output characteristic programmable.

Measuring voltage
and - current

Measuring voltage	Measuring current			
	6,25 mA	2,5 mA	250 μA	25 μA
1 V	100 Ω	250 Ω	2,5 kΩ	25 kΩ
2 V	-	500 Ω	5 kΩ	50 kΩ
4 V	-	1 kΩ	10 kΩ	100 kΩ

Resistance values
for maximum
resolution!

Resolution : 600 ... 3000 digit (depends on measurement range)
Sampling frequency : 250 Hz real-time processing
Cable resistance : 10 Ω max. Automatic compensation in 3-wire-circuits with symmetric line-resistance

Output

Current output : 0/4 ... 20 mA switch selectable; load ≤ 1 kΩ
Voltage output : 0/2 ... 10 V switch selectable; load 15 mA max., short-circuit-protection
(simultaneous to current output 5 mA max.)

Attention! No isolation between input and output!

Rise time (t_{90}) : < 8 ms
Accuracy : < 0,7 % (typ. < 0.25 %)
Temperature coefficient : < 100 ppm/°C

Case : standard case of polycarbonate 8020 UL94V-1
Weight : approx. 200 g
Protection : Case IP30, terminals IP20 finger safe acc. to German BGV A3
Connection : screw-terminals with pressure plate max 2.5 mm², wire

Programming

Programming resistance measuring range	
1	Set resistance (Rmin) at terminals 1,2,3
2	S1 ON -> RT500 stores the value of Rmin
3	-> LED flashes green = OK -> LED flashes red = error (see status LED)
4	S1 OFF
5	Set resistance (Rmax) at Terminals 1,2,3
6	S2 ON -> RT500 stores the value of Rmax
7	see point 3
8	S2 OFF -> Programming of the measuring range is now completed
9	Set with S3 the wanted output configuration

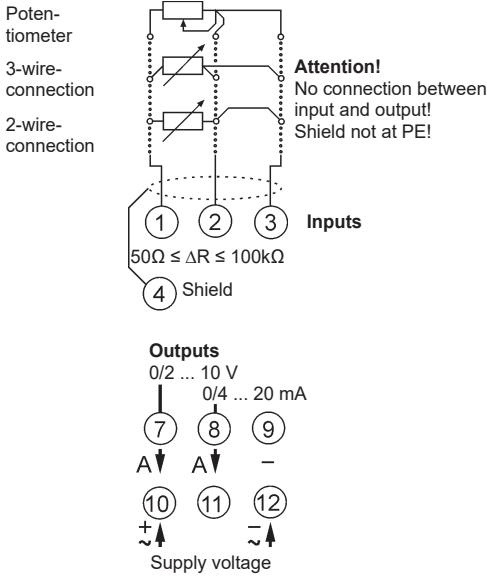
Status of the front side LED		
OFF	green	Operation mode
	red	Measuring range exceeded or break of line
	red/green flashing	Last programming invalid. Resistance value could not be stored
ON	LED off (2 sec.)	Resistance value stored
	green flashing	Measured resistance value has been stored in the EEPROM
	red flashing	The difference of the resistance is smaller than 20 ... 50% (depending on measuring range) of Rmax
	red	Measured value exceeds the max. value of 100 kΩ. Resistance value could not be stored.

Examples:

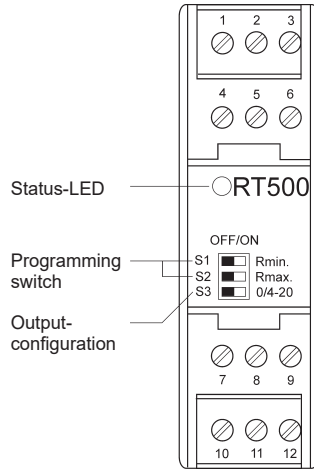
1.) Measuring range : 15 ... 90 Ω
2.) Measuring range : 0 ... 1 kΩ
3.) Measuring range : 100 ... 200 Ω

Attention! Minimal span 0.5 Rmax

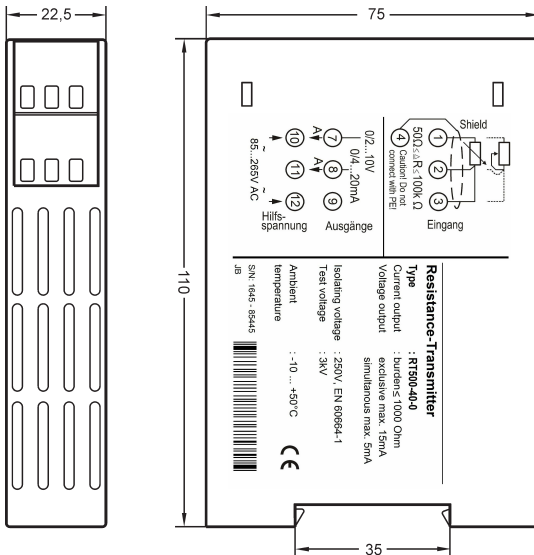
Connection diagram



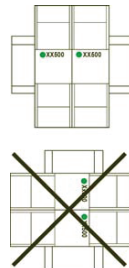
Front panel controls



Dimensions



Caution!
 Mounting of multiple units without distance is only permitted in horizontal orientation.



TH35 DIN rail mounting

Ordering code

RT500 - -

1. Measuring range

40 Rmax programmable from 50 Ω up to 100 kΩ
(see examples page 2)

2. Supply voltage

0 85 ... 265 V AC
5 10 ... 30 V AC/DC

Note: Configuration is possible ex factory without extra charge.
Please state the desired data, when ordering.
E.g.: 0 ... 250 Ω or 150 ... 800 Ω