



Operating Manual

Temperature probes for
potentially explosive atmospheres

GTF 103-Ex ...



WEEE-Reg.-Nr. DE93889386



Senseca Germany GmbH

Hans-Sachs-Str. 26 | 93128 Regenstauf | GERMANY

Tel.: +49 9402 9383-0 | info@senseca.com | www.senseca.com

INDEX

1	GENERAL NOTE	3
2	SAFETY	3
2.1	Intended Use	3
2.2	Safety signs and symbols	3
2.3	Skilled personnel	4
2.4	Safety guidelines	4
2.4.1	General information	4
2.4.2	Additional safety instructions for zone 0 or zone 20	5
2.4.3	Additional safety instructions for zone isolation	5
3	PRODUCT DESCRIPTION	5
3.1	General information	5
3.2	Scope of delivery	6
3.3	Identification	6
3.4	Which temperature probe, transmitter do I need?	6
3.5	Probe types	7
3.6	Connection values (version without measuring transducer)	8
3.6.1	Approval 'e': increased safety	8
3.6.2	Approval 'i': intrinsically safe	8
3.7	Connection values (version with integrated transmitter)	9
3.7.1	Zone 0, 0/1, 1 und 2	9
3.7.2	Zone 20, 20/21, 21 und 22	9
4	NOTES ON OPERATION IN POTENTIALLY EXPLOSIVE ATMOSPHERES	10
4.1	Self-heating of the probe	10
4.2	Permissible ambient temperatures and neck pipe	11
4.2.1	For Types GTF 103-Ex-i..-G-	11
4.2.2	For Types GTF 103-Ex-i..-O-	11
4.2.3	For Types GTF 103-Ex-e..-O-	11
5	INSTALLATION INSTRUCTIONS	12
5.1	Connection diagram for Pt100 and Pt1000	12
5.2	Connection diagram for type K thermocouples	12
5.3	Connection diagram for version with integrated transmitter	12
5.4	Cable and conductor gland (CCG)	13
5.4.1	Cable screw gland	13
5.4.2	Pressure screw	13
6	SPECIFICATION	14
6.1	Dimensions	16
7	DECOMMISSIONING, RESHIPMENT AND DISPOSAL	17
7.1	Reshipment	17
7.2	Disposal instructions	17
8	ORDERING INFORMATION	18
8.1	Ordering code for GTF 103-Ex-... probes	18
9	EU - DECLARATION OF CONFORMITY	19
10	EU - TYPE EXAMINATION CERTIFICATE	20

1 General note

Please read this document carefully and familiarize yourself with the operation of the device before using it. Keep this document within easy reach near the device for consulting in case of doubt.

2 Safety

2.1 Intended Use

These resistance thermometers and thermocouples are designed for temperature measurement in explosion-prone areas in industrial applications.

The measuring range, depending on the version, covers temperatures from **-200 °C +600 °C (900 °C with thermocouple)**, in which this can be limited due to the temperature class of the Ex area.

The sensors are intended exclusively for use within the technical limit values indicated on the type plate and in this operating manual.

Only technically qualified personnel are permitted to carry out installation, commissioning, operation and decommissioning. The qualified personnel must have carefully read and understood the operating manual before starting work.

The compatibility of the measuring medium and the housing material getting in touch with the medium, must be assured so that no impairments of operational safety can arise.

The liability and warranty of the manufacturer for damages and consequential damages are voided with misuse, disregard of this operating manual, assignment of inadequately qualified technical personnel and arbitrary modifications of the product.

2.2 Safety signs and symbols

Warnings are labelled in this document with the followings signs:



Caution!

This symbol warns of imminent danger, death, serious injuries and significant damage to property at non-observance



Caution!

This symbol indicates a potentially dangerous situation in explosion-prone areas that can result in death or severe injuries if not avoided.



Attention!

This symbol warns of possible dangers or dangerous situations which can provoke damage to the device or environment at non-observance.



Note!

This symbol points out processes which can indirectly influence operation or provoke unforeseen reactions at non-observance.

2.3 Skilled personnel








are persons who are familiar with the set-up, installation, commissioning and operation of the product and have appropriate qualification for their work. For example:




- Training or instruction and/or authorisation to activate, deactivate, disconnect, ground and identify power circuits and devices/systems in accordance with the standards of safety engineering.
- Training or instruction in accordance with the standard of safety technology for care and use of suitable safety equipment.
- Knowledge about the installation of devices in explosion-prone areas.

2.4 Safety guidelines

This device has been designed and tested in accordance with the safety regulations for electronic devices. However, its trouble-free operation and reliability cannot be guaranteed unless the standard safety measures and special safety advises given in this manual will be adhered to when using the device.



2.4.1 General information

1.  Requirements of Directive 2014/34/EU (ATEX) and IECex must be observed. The respective national regulations for Ex use must also be complied with (e.g. EN 60079-10 and EN 60079-14).
2.  Install the GTF 103-Ex according to the manufacturer's specifications and the valid standards and regulations.
3.  The temperature probe must only be connected to the feed devices provided for this purpose and approved for operation of the system for passive resistance sensors and thermocouples according to the appropriate standard. The electrical operating values must not be exceeded.
4.  **In ignition protection rating 'e' (increased safety)**, a fuse corresponding to the specifications of EC type examination certificate and suitable for a possible short-circuit current of 1500 A must be installed upstream from every temperature probe in a suitable manner.
5.  **In ignition protection rating 'i' (intrinsically safety)** the probe must be earthed!
6.  With use of head transmitters, the configuration of the measuring head transducer is only permitted in **not** explosion-prone areas. The corresponding specifications for the head transmitter must be observed.
7. The ambient temperatures for the head must be observed.
8. The connections in the head must be made according to the connection diagram.
9. Only use connection cables with permitted diameter and appropriate seals of the cable and conductor gland (CCG). The intermediate support of the CCG must not be loosened. Use blue cable screw glands of the cable and conductor gland for intrinsically safe power circuits.
10.  Depending on the measuring current, the self-heating at the sensor tube must be considered for the application.
The sum of the process temperature and the temperature from self-heating of the probe tube must always be less than the ignition temperature of the medium. The required safety distances must be observed.

11.  The compatibility of the device materials used with your probe version and the measuring medium must be assured.
12.  Use of the probe tube or housing as a climbing aid (e.g. for installation purposes) or as a holder for additional external loads is not permitted!
13.  Mechanical modifications of the product (e.g. application of material by means of painting, removal of material by means of drilling into the housing) are not permitted!



2.4.2 Additional safety instructions for zone 0 or zone 20

These instructions must also be observed if the probe and head are installed in this zone.

1.  Explosion-prone mixtures must only form under the following atmospheric conditions: $-20^{\circ}\text{C} \leq T_a \leq +60^{\circ}\text{C}$ and $0.8 \text{ bar} \leq p \leq 1.1 \text{ bar}$.
2. The limited environmental temperatures must be complied with (see chapter 4.2).
3. When used in zone 20, the maximum heating with dust covering according to EPL Da must be taken into account (see chapter 4.1).
4.  The feeding supply circuit must satisfy ignition protection rating Ex ia IIC and/or Ex ia IIIC.

2.4.3 Additional safety instructions for zone isolation

These instructions must also be observed if the probe is installed in Zone 0 and/or 20 and the head in zone 1, 2, 21 or 22.

1.  Only use versions that are suitable for zone separation!
2.  A gas-tight must be assured after installation!

3 Product description

3.1 General information

The GTF 103-Ex temperature probes are designed as integrated probes for use in explosion-prone areas. With their modular design, they offer maximum flexibility.

The probes have a connecting head with protection rating **IP 65**, which is either use for connection of the outside conductor only or also offers space for a head transmitter.

The measuring inserts of the GTF 103-Ex are available in 2 different sensor element groups, **resistance thermometer**: Pt 100, Pt 1000 or **thermocouple**: Type K.

Only mineral-insulated resistance thermometers and/or mineral-insulated thermocouples are used as sensor elements.

The range of use, depending on the version, theoretically covers a medium temperature of **-200 °C to +600 °C (900 °C)**, which is limited by the temperature class of the Ex area!

At process temperatures above 100°C or below -50°C, all GTF 103-Ex must be ordered with a minimum neck tube length (standard = 50 mm). The neck tube length must be selected such that the permissible environmental temperature of the head is not exceeded or fallen below, depending on the measuring temperature and the installation situation.

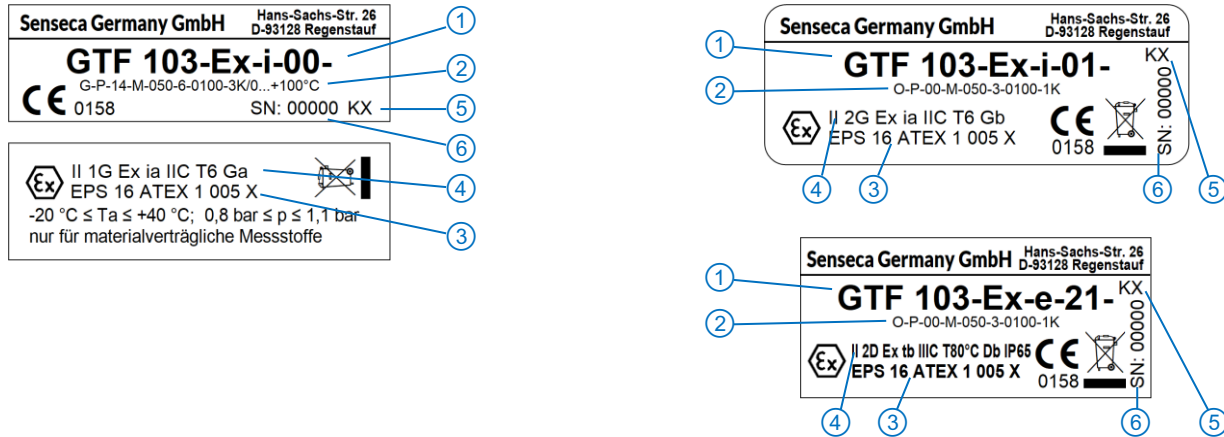
There a multitude of **base types of GTF 103-Ex** available that can all be custom assembled.

3.2 Scope of delivery

Temperature sensor, operating instructions

3.3 Identification

Examples for type plates



- ① Base type
- ② Extension of the variant code
(Type designation = ① + ②)
- ③ Approval number
- ④ Ex identification
- ⑤ Code for month/year of manufacture: MY
M: A = January, B = February, ..., L = December
Y: P = 2015, Q = 2016, R = 2017, ..., Z = 2025
(Example: KX = November 2023)
- ⑥ Serial number

3.4 Which temperature probe, transmitter do I need?

You can easily determine the temperature probe or temperature transmitter for your specific application from the table below.

Zone 0 or 20

If the temperature must be detected in Ex Zone 0 or 20, the appropriate GTF103-Ex temperature probe in ignition protection class II 1G Ex ia IIC... or II 1D Ex ia IIIC... can be used. Only ATEX-approved devices can be used as display and/or control devices that meet the requirements of the corresponding zones.

Zone 0/1 or 20/21 (zone-separating)

If the temperature must be detected in Ex Zone 0 or 20 and the probe connection is outside of this zone, the probe must be installed as appropriately zone-separating. For this purpose, the appropriate, suitable GTF103-Ex temperature probes in ignition protection class II 1/2G Ex ia IIC... or II 1/2D Ex ia IIIC... are used. Only ATEX-approved devices can be used as display and/or control devices that meet the requirements of the corresponding zones.

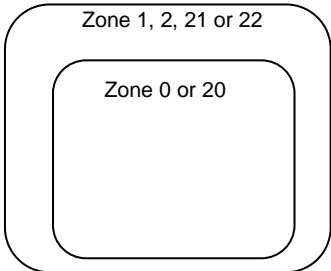
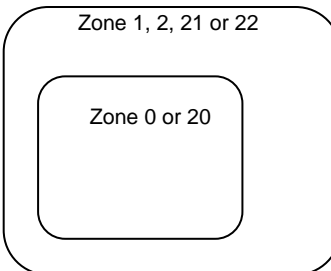
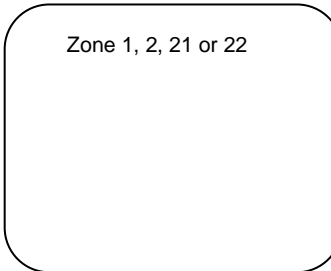
Zone 1, 2 or 21, 22

If the temperature must be detected in Ex Zone 1, 2 or 21, 22, the appropriate GTF103-Ex temperature probe in ignition protection class II 2G Ex ia IIC... or II 2G Ex eb IIC... or II 2D Ex ia IIIC... or II 2D Ex tb IIIC... can be used.

If the display and/or control device is in Zone 1, 2 or 21, 22, only ATEX-approved devices of the appropriate zone can be used.

If the display and/or regulating device is outside of the Ex area, Ex approval is not required if the GTF 103-Ex temperature probe in ignition protection class Ex eb IIC... or Ex tb IIIC... is used and the safety instructions from chapter 2.4 as well as the electrical supply data are observed.

Table 1: Overview of use and requirements for the GTF 103-Ex-... in the individual Ex zones.

Ex zone	0	20	Zone-separating		1, 2	21, 22
			0/1	20/21		
Usable types	GTF 103-Ex-i-00-..	GTF 103-Ex-i-20-..	GTF 103-Ex-i-0A-..	GTF 103-Ex-i-2A-..	GTF 103-Ex-i-01-.. GTF 103-Ex-e-01-..	GTF 103-Ex-i-21-.. GTF 103-Ex-e-21-..
ATEX identification of probes	II 1G Ex ia IIC T6...T1 Ga Ta = -20 ... +60 °C	II 1D Ex ia IIIC T ₂₀₀ 80°C Da Ta = -20 ... +60 °C	II 1/2G Ex ia IIC T6...T1 Ga/Gb	II 1/2D Ex ia IIIC T ₂₀₀ 80°C Da/Db	II 2G Ex ia IIC T6...T1 Gb <i>or</i>	II 2D Ex ia IIIC T80°C Db <i>or</i>
Probe with head transmitter	II 1G Ex ia IIC T6...T1 Ga Ta = -20 ... +40 °C	II 1D Ex ia IIIC T ₂₀₀ 80°C Da Ta = -20 ... +40 °C	II 1/2G Ex ia IIC T6...T1 Ga/Gb Ta = -20 ... +50 °C	II 1/2D Ex ia IIIC T ₂₀₀ 80°C Da/Db Ta = -20 ... +50 °C	II 2G Ex eb IIC T6 Gb	II 2D Ex tb IIIC T80°C Db
						

3.5 Probe types

The GTF 103-Ex is available in wide range of versions.

All variants of the GTF 103-Ex series have a large connecting head with adequate room for a head transmitter.

All other specifications are based on the choice of sensor element, the desired temperature range, the environmental temperature or the necessary ignition protection class.

Standard probes have a probe length of 100 mm, a probe diameter of 6 mm, a screw-in thread G=1/2".

We also assemble the probes according to your specifications, insofar as the specifications for the GTF 103-Ex-... permit this (see technical data).

GTF 103-Ex-...-XX-M-...



GTF 103-Ex-...-XX-K-...



GTF 103-Ex-...-00-M-...



GTF 103-Ex-...-00-K-...



3.6 Connection values (version without measuring transducer)

3.6.1 Approval 'e': increased safety

Measuring current circuit:

Rated voltage	=	4 V
Rated measuring current	=	10 mA

Maximum permissible short-circuit current for current circuit::

for version with sensor Pt100 or Pt1000:	500mA
for version with sensor thermocouple type K:	100 mA



Observe the notes in chapter 4

3.6.2 Approval 'i': intrinsically safe

Measuring circuit only for connection to certified intrinsically safe power circuits with the following maximum values:

U_i	=	30 V
I_i	=	300 mA
P_i	=	see table ¹
C_i	=	negligibly small*
L_i	=	negligibly small*



* The inductance and capacity of the connection have to be considered during installation

¹The maximum permissible output of the connected intrinsically safe power circuit P_i depends on the temperature class of the temperature sensor, the sensor diameter, the zone in which the sensor is used and the process temperature. Please observe the notes in chapter 4




Maximum permissible power P_i and permissible ambient temperature T_a , depending on temperature class, zone and sensor diameter D				
temperature class	Zone	P_i [mW]		T_a
		$D = 3, 4, 5$ mm	$D \geq 6$ mm	
T6	0	15 mW	15 mW	-20...60 °C
T5	0	80 mW	200 mW	-20...60 °C
T4	0	250 mW	600 mW	-20...60 °C
T3	0	650 mW	1200 mW	-20...60 °C
T2	0	1400 mW	1500 mW	-20...60 °C
T1	0	1500 mW	1500 mW	-20...60 °C
T6	1, 2	80 mW	200 mW	-20...60 °C
T5	1, 2	80 mW	200 mW	-20...80 °C
T4	1, 2	300 mW	750 mW	-20...80 °C
T3	1, 2	750 mW	1500 mW	-20...80 °C
T2	1, 2	1500 mW	1500 mW	-20...80 °C
T1	1, 2	1500 mW	1500 mW	-20...80 °C

3.7 Connection values (version with integrated transmitter)

3.7.1 Zone 0, 0/1, 1 und 2

Measuring circuit only for connection to certified intrinsically safe circuits with the following maximum values:

- $U_i = 30$ V
- $I_i = 100$ mA
- $P_i = 760$ mW #1
- $C_i =$ negligibly small*
- $L_i =$ negligibly small*

	The maximum power P_o delivered by the transmitter to the sensor is 10 mW. This leads to a temperature elevation of approx. 2 °C. at the probe tip. The GTF 103-Ex may only be used if this temperature increase is permissible (see chapter 4.1)
	* The inductance and capacity of the connection have to be considered during installation
	The safety and installation instructions in the operating instructions of the transmitters TMT 71- B... are mandatory

#1 = the new TMT 71 head transmitter now used would have $P_i = 800$ mW.

However, due to the specification in the type examination certificate, only the old (worse) value of 760 mW is still permissible.

3.7.2 Zone 20, 20/21, 21 und 22

The head transmitter is protected from dust (protection class t_d) by means of the connection head (IP65). The same connection values apply as for Zone 0, 0/1, 1 and 2 (see chapter 3.7.1).

4 Notes on operation in potentially explosive atmospheres

4.1 Self-heating of the probe

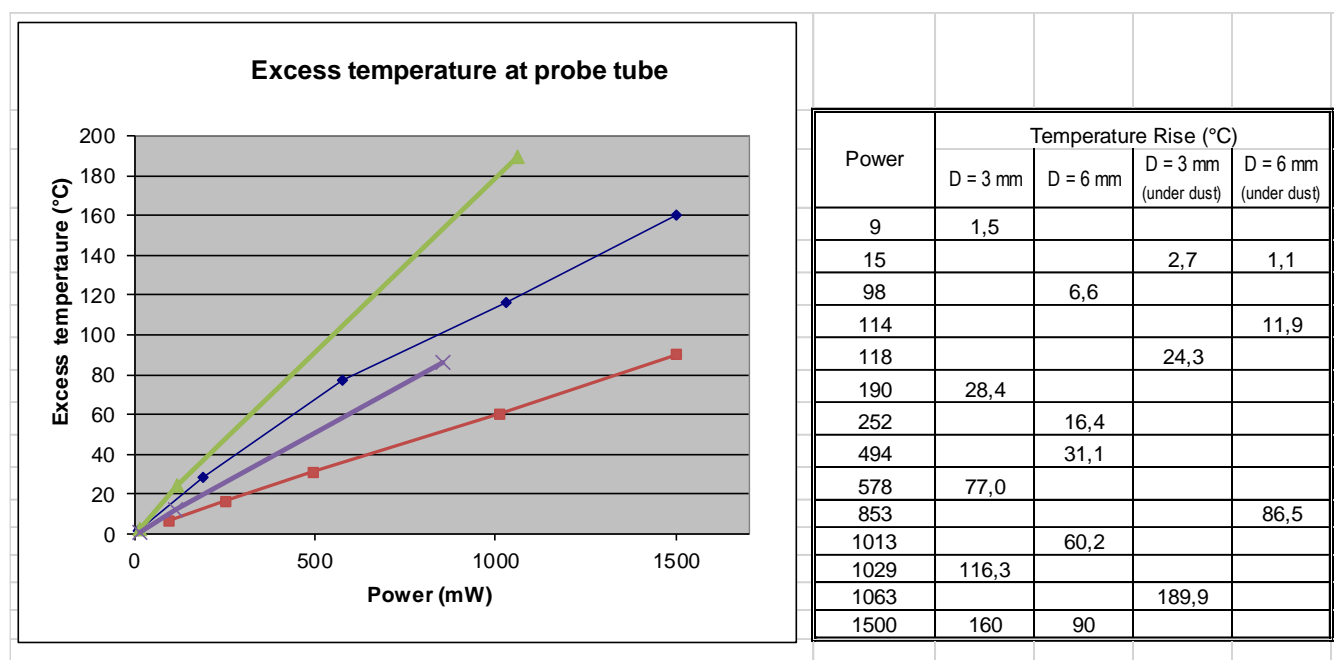
A maximum of 20 mW should be applied to the measuring current circuit. When this value is observed, the temperature on the probe tube increases by a maximum of 4 °C in relation to the environmental temperature. The GTF 103-Ex must only be used if this temperature increase in relation to the process temperature is permissible.

If, in the event of a fault, the measuring circuit is loaded more, the self-heating of the sensor tube must be taken into account.

The sum of process temperature and temperature caused by self-heating at the sensor tube must always be lower than the ignition temperature of the medium - even in the event of a fault!

The required safety distances must be taken into account.

Overtemperature with loading of the measuring current circuit



Overtemperature at the sensor tube, depending on the power supplied and the sensor tube diameter (values interpolated)				
Power P [mW]	Self heating Te [°C] without dust overflow		Self heating Te [°C] with dust overflow according to EPL Da	
	D = 3, 4, 5 mm	D ≥ 6 mm	D = 3, 4, 5 mm	D ≥ 6 mm
10	2	1	2	1
25	4	2	5	3
50	8	4	10	5
100	15	7	21	11
200	30	14	30	21
300	43	20	57	31
500	68	32	92	51
650	84	40	118	67
750	93	46	136	77
1000	115	60	179	102
1200	132	71	214	122
1500	159	88	267	152

Example:

A GTF 103 with 6 mm sensor tube is to be used in zone 1 in temperature class T3. Po of the power supply = 500 mW. Which maximum process temperature Tp is allowed.

T3 = 200 °C. Safety distance*1 for T3 = 5K → max. Surface temperature (To) 195 °C

For 500 mW and 6 mm pipes, the self-heating of the probe (Te) is up to 32 °C.

$$T_p = T_o - T_e = 195 \text{ °C} - 32 \text{ °C} = 163 \text{ °C}$$

The sensor must therefore be used in this constellation up to a maximum process temperature of 163 °C

If the same setup is used for Zone 0, the maximum permissible process temperature is:

T3 = 200 °C, for zone 0 only 80%*2 permissible → 160 °C, safety distance*1 for T3 = 5K → maximum permissible surface temperature (To) = 155 °C

Self-heating of the temperature sensor is 32 °C

$$T_p = T_o - T_e = 155 \text{ °C} - 32 \text{ °C} = 123 \text{ °C}$$

For zone 0, the sensor can thus be used in this constellation up to a maximum process temperature of 123 °C

The same probe for use in dust environment (zone 20) with an ignition and glow temperature of 200 °C is obtained:

To is max. $2/3^{*3}$ of the ignition temperature = 133 °C

To is glowing temperature - 75 °C*3 = 125 °C

The lower temperature is taken for To → To = 125 °C

Self-heating of the temperature sensor (according to table EPL Da) is 51 °C

$$T_p = T_o - T_e = 125 \text{ °C} - 51 \text{ °C} = 74 \text{ °C}$$



Be sure to take into account the safety distances given by the different standards and regulations.

*1: EN60079-0:2012, point 26.5.1.3, *2: EN1127-1:2011, point 6.4.2, *3: EN60079-14, point 5.6.3

4.2 Permissible ambient temperatures and neck pipe

4.2.1 For Types GTF 103-Ex-i-...-G-....		
Temperature class / max. Surface temperature	Zone 0, 20	Zone 1, 2, 21, 22
T6 / T80°C	-20°C ≤ Ta ≤ +40°C	-20°C ≤ Ta ≤ +40°C
T5..T1 / >T100°C	-20°C ≤ Ta ≤ +40°C	-20°C ≤ Ta ≤ +50°C
4.2.2 For Types GTF 103-Ex-i-...-O-....		
Temperature class / max. Surface temperature	Zone 0, 20	Zone 1, 2, 21, 22
T6 / T80°C	-20°C ≤ Ta ≤ +60°C	-20°C ≤ Ta ≤ +60°C
T5..T1 / >T100°C	-20°C ≤ Ta ≤ +60°C	-20°C ≤ Ta ≤ +80°C
4.2.3 For Types GTF 103-Ex-e-...-O-....		
Temperature class / max. Surface temperature	Zone 0, 20	Zone 1, 2, 21, 22
T6..T1 / ≥T80°C		-20°C ≤ Ta ≤ +60°C

The ambient temperatures for the connection head must be strictly adhered to.

At higher or very low process temperatures, heat or coolant reflux may occur from the process, whereby the permissible ambient temperature can be exceeded or fallen below.

At process temperatures above 100 °C or below -50 °C, the probe must therefore have a correspondingly large neck pipe length.

Recommendation for minimum necessary extension tube lengths with good ventilation:

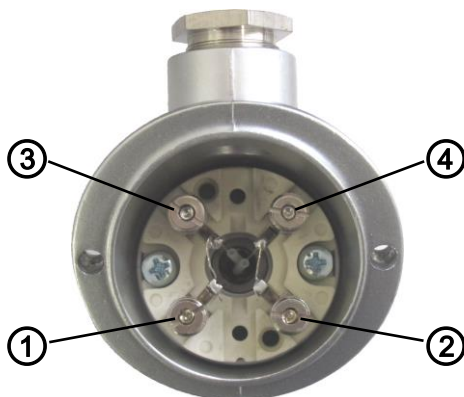
Measuring temperatures less than -50 °C =>	extension tube length 50 - 100 mm
Measuring temperatures up to 250 °C =>	extension tube length 50 - 100 mm
Measuring temperatures up to 400 °C =>	extension tube length 100 - 200 mm
Measuring temperatures above 400 °C =>	extension tube length 200 mm or long



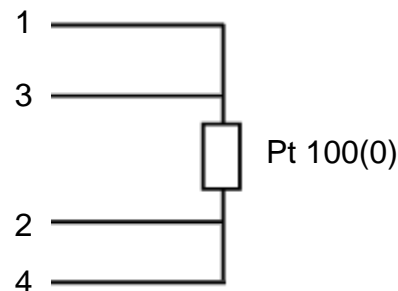
The above guideline values are only indicative and may vary greatly depending on the installation. Observe the maximum ambient temperatures (chapter 4.2) in the installation.

5 Installation instructions

5.1 Connection diagram for Pt100 and Pt1000



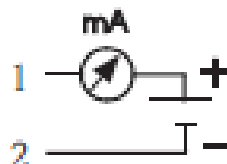
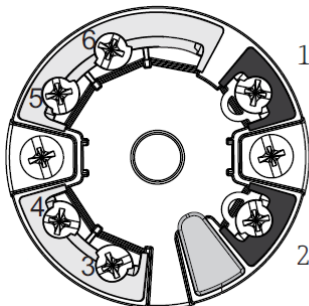
terminal assignment



5.2 Connection diagram for type K thermocouples

The connection terminal for the +pole is marked red.

5.3 Connection diagram for version with integrated transmitter



For detailed information on the TMT 71 head transmitter used, please refer to the manufacturer's instructions.

These can be found at www.endress.com



5.4 Cable and conductor gland (CCG)

The connecting heat has at least IP 65 protection rating, depending on the version.

The customer is obligated to only use the cable with the specified diameter and to carry out proper installation. There is a risk of explosion if the cable installation is defective!

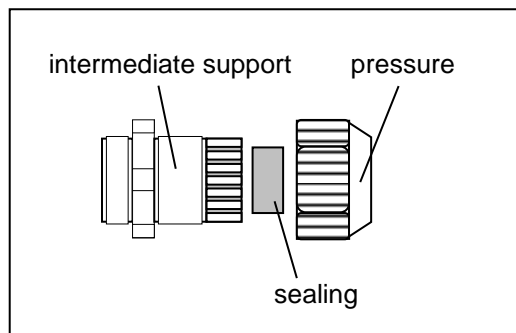
Attention: The cables and conductors must be secured (e.g. with a cable clamp) in a manner such that they cannot be pulled out of the gland.

The screw of the CCG must be checked in regular intervals to ensure tightness and re-tightened as necessary. Conversions and modifications of the gland elements are not permitted. Only original spare parts can be used for any repair work.

There are two different variants of the CCG available:

5.4.1 Cable screw gland

The intermediate support of the cable screw gland is adhered to the connecting head at the factory. Removal or loosening of the intermediate support with force is not permitted (torque > 3.75 Nm).



Only round cables with outside diameters (OD) between 5 and 9 mm are permitted.

The screw must be tightened firmly to ensure the IP protection rating (2.50 Nm).

Over-tightening can also impair the protection rating.

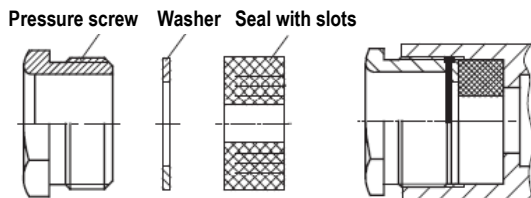
5.4.2 Pressure screw

In order to enable a greater clamping area for the cable inlet, the seal insert is equipped with fins.

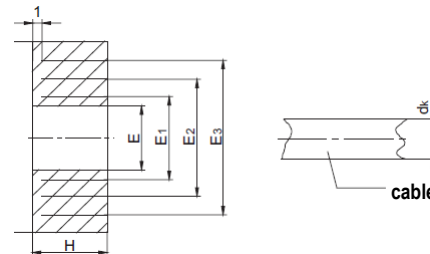
For thicker connecting cables, the seal must be adapted to the outside diameter of the cable. Carefully remove the fins for this purpose.

(Please note: this adaptation cannot be undone!)

Configuration sketch:



Seal slots:



	without machining (E)	first fin removed (E1)	second fin removed (E2)	third fin removed (E3)
Seal inside diameter	Ø 5 mm	Ø 7.5 mm	Ø 10 mm	Ø 12.5 mm
Clamping area	4.0 - 6.0 mm	6.5 - 8.5 mm	9 - 11 mm	11 - 12.5 mm

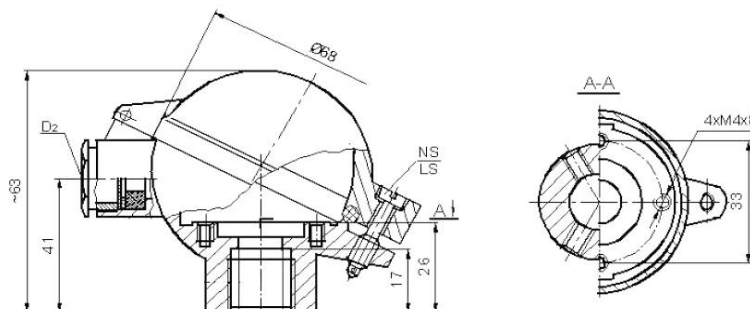
6 Specification

Measuring range:	Pt100/Pt1000 without neck tube:	-50 ... +100 °C
	Pt100/Pt1000 with neck tube:	-200 ... +600 °C
	Thermocouple without neck tube:	-50 ... +100 °C
	Thermocouple with neck tube:	-200 ... +900 °C

- Sensor elements:**
- Mineral-insulated resistance thermometer Pt100, class B, 4-wire
 - Mineral-insulated resistance thermometer Pt1000, class B, 4-wire
 - Mineral-insulated thermocouple type K

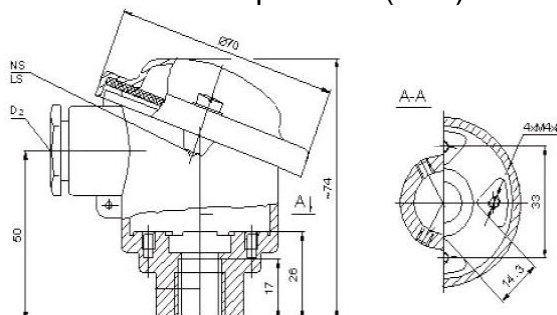
Probe tubes: Stainless steel thread and probe tube (1.4404, 1.4435, 1.4571, Inconel 600, etc.)
 Standard version:
 without neck tube: Thread G ½"A,
 FL = 100 mm, D = 6 mm, WS ≥ 1,0 mm
 with neck tube: Thread G ½"A,
 FL = 100 mm, D = 6 mm, WS ≥ 1,0 mm,
 HL = 50 mm, HD = 8 mm

- Head:**
- **B-head with flap cover:**
 Housing: Die-cast aluminium (AlSi9Cu3), powder-coated (polyester),
 seal: Silicone, protection rating: IP 65,
 Environmental temperature (max): -20°C +80°C,



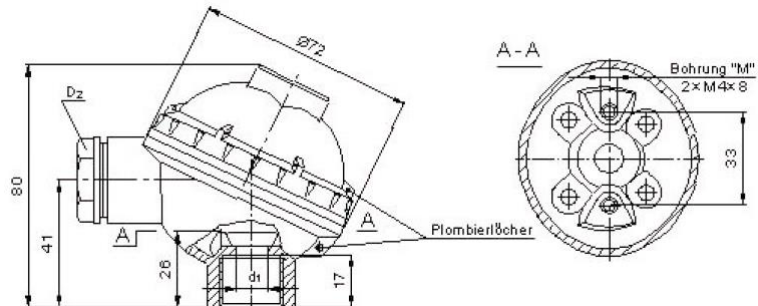
Maximum space for transmitter: $\text{Ø} \times \text{H} = 42 \times 14 \text{ mm}$
 or 4-pin connection base with insulating washer

- **B-head:**
 Housing: Die-cast aluminium (AlSi9Cu3), cover: Aluminium die, powder-coated (Kreodur),
 Seal: oil-resistant rubber, Protection rating: IP 65,
 Environmental temperature (max): -20 +80 °C,



Maximum space for transmitter: $\text{Ø} \times \text{H} = 44 \times 21 \text{ mm}$
 or 4-pin connection base with insulating washer

- **Anti-static plastic head**
PAV (anti-static polyamide PA12),
Seal: oil-resistant rubber, Protection rating: IP 65,
Environmental temperature (max): -20 +80 °C,



Maximum space for transmitter: $\varnothing \times H = 42 \times 14$ mm
or 4-pin connection base with insulating washer

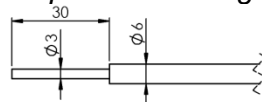
Cable and conductor gland

- **Cable screw gland**
Material: Polyamide, Seal ring: NBR, IP 68 - 10 bar,
Environmental temperature: max.: -20 +80 °C,
Clamping range: \varnothing 5 - 9 mm
- **Pressure screw**
Material: Nickel-plated brass and/or PAV (with plastic head)
Seal ring: oil-resistant rubber or silicone (= identical with
head seal), IP 65,
Environmental temperature: max.: -20 +80 °C,
Clamping range: \varnothing 4 - 12.5 mm

Possible components (not always applicable for all ignition protection classes and Ex zones)

Probe tube diameter: 3, 4, 5, 6, 8 mm

*Comment: with diameter = 3 mm: Minimum probe tube length is 60 mm,
the probe is offset 3 to 6 mm*



Extension tube diameter: 6, 8 or 14 mm

*Comment: Extension tube lengths up to 50 mm are also designed with a tube diameter of 6 mm
with a probe tube diameter of 6 mm.*

*With greater lengths, and/or with a probe tube diameter of 8 mm, the standard diameter
is 8 mm.*

In addition, a tube extension diameter of 14 mm can be made.

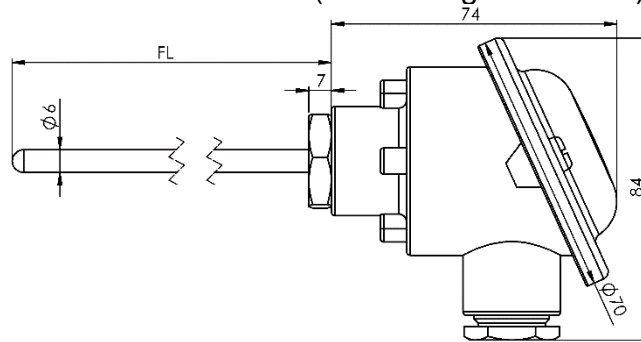
Thread type: G, R, NPT, M male thread

Thread size: 1/8", 1/4", 3/8", 1/2", 3/4", 10x1, 12x1.5, 14x1.5, 16x1.5, 18x1.5

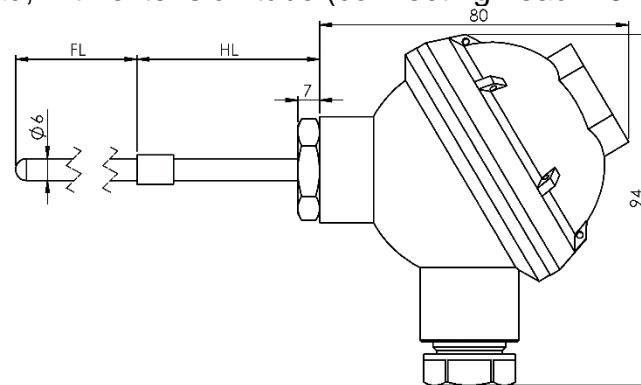
Sensor elements: Pt 100, Pt 1000, thermocouple type K

6.1 Dimensions

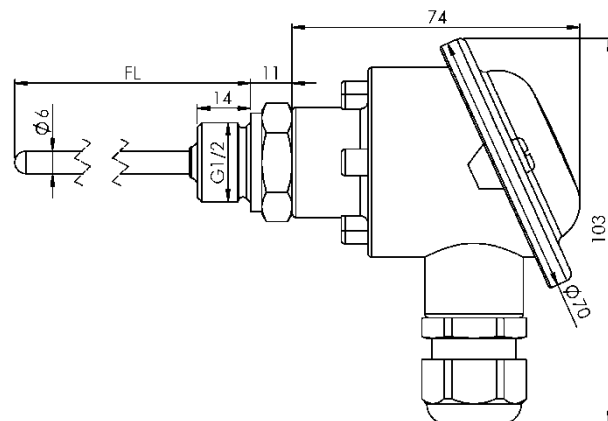
a.) Version without thread and extension tube (connecting head = 2D)



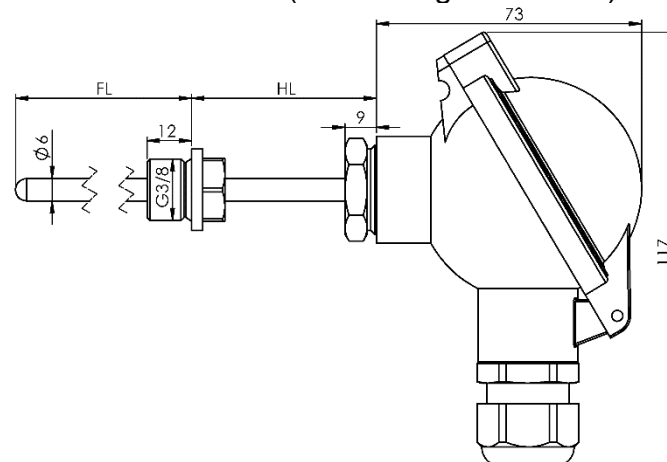
a.) Version without thread, with extension tube (connecting head = 3D)



a.) Version with thread, without extension tube (connecting head = 2K)



a.) Version with thread and extension tube (connecting head = 1K)



7 Decommissioning, reshipment and disposal

7.1 Reshipment



All devices returned to the manufacturer have to be free of any residual of measuring media and other hazardous substances. Measuring residuals at housing or probe may be a risk for persons or environment.



Use an adequate transport package for reshipment, especially for fully functional devices. Please make sure that the device is protected in the package by enough packing materials.

7.2 Disposal instructions



The device must not be disposed in the unsorted municipal waste!
Send the device directly to us (sufficiently stamped), if it should be disposed.
We will dispose the device appropriate and environmentally sound.

9 EU - Declaration of conformity



EU-KONFORMITÄTSERKLÄRUNG EU-DECLARATION OF CONFORMITY

Senseca | Senseca Germany GmbH | Hans-Sachs-Str. 26 | 93128 Regenstauf | GERMANY

Dokument-Nr. / Monat.Jahr: **1039 / 01.2024**
Document-No. / Month.Year:

Wir erklären hiermit unter alleiniger Verantwortung, dass die folgenden Produkte konform sind mit den Schutzziele der Richtlinie des Europäischen Parlaments:
We declare herewith under our sole responsibility that the following products are in compliance with the protection requirements defined in the European Council directives:

Produktbezeichnung: **GTF 101-Ex-..., GTF 102-Ex-..., GTF 103-Ex-...,
GTF 111-Ex-..., GTF 112-Ex-...**
Product identifier:

Produktbeschreibung: **Temperatursensor
(Temperature probe)**
Product description:

Die Produkte entsprechen den folgenden Europäischen Richtlinien:
The products conforms to following European Directives:

Richtlinien / Directives	
2014/30/EU	EMV Richtlinie / EMC Directive
2014/34/EU	ATEX / ATEX
2011/65/EU	RoHS / RoHS

Angewandte harmonisierte Normen oder angeführte technische Normen:
Applied harmonized standards or mentioned technical specifications:

Harmonisierte Normen / harmonized standards	
EN 61326-1 : 2013	Allgemeine EMV Anforderungen / General EMC requirements
EN 61326-2-3 : 2013	Besondere EMV Anforderungen / Particular EMC requirements
EN IEC 60079-0 : 2018	Allgemeine ATEX Anforderungen / General ATEX requirements
EN IEC 60079-7 : 2015 /A1:2018	Geräteschutz durch erhöhte Sicherheit "e" / Protection by increased safety "e"
EN 60079-11 : 2012	Geräteschutz durch Eigensicherheit "i" / Protection by intrinsic safety "i"
EN 60079-18 : 2015 /A1:2017	Geräteschutz durch Vergusskapselung "m" / Protection by encapsulation "m"
EN 60079-26 : 2015	Geräteschutzniveau (EPL) Ga / Equipment Protection Level (EPL) Ga
EN 60079-31 : 2014	Staubexplosionsschutz durch Gehäuse "t" / Dust ignition protection by enclosure "t"
EN IEC 63000 : 2018	Beschränkung der gefährlichen Stoffe / Restriction of hazardous substances

EG-Baumusterprüfbescheinigung / ausgestellt von: **EPS 16 ATEX 1 005 X** / Bureau Veritas Consumer Products Services Germany GmbH (Reg.No. 2004)
EC Type Examination Certificate / issued by:

Qualitätssicherung / quality assurance: DEKRA Testing and Certification GmbH (Reg.No. 0158)

Diese Erklärung wird verantwortlich für den Hersteller abgegeben durch:
The manufacturer is responsible for the declaration released by:

Roland Bäuml

Standortleiter
Site Director

Regenstauf, 2. Januar 2024

Diese Erklärung bescheinigt die Übereinstimmung mit den genannten Harmonisierungsrechtsvorschriften, beinhaltet jedoch keine Zusicherung von Eigenschaften.
This declaration certifies the agreement with the harmonization legislation mentioned, contained however no warranty of characteristics.

10 EU - Type Examination Certificate



EU - Type Examination Certificate

- (1) **EU - Type Examination Certificate**
- (2) Equipment and protective systems intended for use in potentially explosive atmospheres – **Directive 2014/34/EU**
- (3) EU - Type Examination Certificate Number
- EPS 16 ATEX 1 005 X** **Revision 4**
- (4) Equipment: Temperature sensors
Types: GTF 101-Ex..., GTF 102-Ex..., GTF 111-Ex..., GTF 112-Ex..., GTF 103-Ex...
- (5) Manufacturer: GHM Messtechnik GmbH
- (6) Address: GHM GROUP - Greisinger
GHM Messtechnik GmbH
Hans-Sachs-Str. 26
93128 Regenstauf
Germany
- (7) This equipment and any acceptable variation thereto are specified in the annex to this certificate and the documentation therein referred to.
- (8) Bureau Veritas Consumer Products Services Germany GmbH, notified body No. 2004 in accordance with Article 21 given in the Directive 2014/34/EU of the European Parliament and of the Council of 26 February 2014, certifies that this equipment has been found to comply with the essential health and safety requirements relating to the design and construction of equipment and protective systems intended for use in potentially explosive atmospheres, given in Annex II of the Directive. The examination and test results are recorded in the confidential documentation under the reference number 15TH0210.
- (9) Compliance with the essential health and safety requirements has been assured by compliance with:
- EN IEC 60079-0:2018 EN IEC 60079-7:2015/A1:2018 EN 60079-11:2012**
EN 60079-18:2015/A1:2017 EN 60079-26:2015 EN 60079-31:2014
- (10) If the sign "X" is placed after the certificate number, it indicates that the equipment is subject to special conditions for safe use specified in the annex to this certificate.
- (11) This EU - Type Examination Certificate relates only to the design and construction of the specified equipment in accordance with Directive 2014/34/EU. Further requirements of this Directive apply to the manufacture of this equipment and its placing on the market. Those requirements are not covered by this certificate.
- (12) The marking of the equipment shall include the following:

Ex-marking see section 15



Certification department of explosion protection

Ulrich Feike

Tuerkheim, 2023-01-13

Certificates without signature and seal are void. This certificate is allowed to be distributed only if not modified. Extracts or modifications must be authorized by Bureau Veritas Consumer Products Services Germany GmbH.

Bureau Veritas Consumer Products Services Germany GmbH
www.bureauveritas.de/cps

Businesspark A96
86842 Tuerkheim

certification.deu@bureauveritas.com
Certificate number EPS 16 ATEX 1 005 X, Revision 4

ZERT-0211-DEU-ZE-EX-V01/TEMP-0052-DEU-ZE-V02

1/4



Annex

(13)

(14) **EU - Type Examination Certificate EPS 16 ATEX 1 005 X**

Revision 4

(15) Description of equipment:

The GTF 1xx-Ex... temperature sensors are designed as built-in sensors for use in hazardous areas of all zones. The temperature sensors GTF 101-Ex-... and GTF 102-Ex-... have permanently encapsulated measuring inserts and permanently connected cable tails. The temperature sensors GTF 111-Ex-... and GTF 112-Ex-... are equipped with M12 connectors. The temperature sensors GTF 103-Ex-... have a connection head providing a degree of protection of IP65 and depending on the type a 4...20 mA output.

Electrical data and temperatures:

Surface temperature raise of the sensor tube as a function of supplied power P and the sensor tube diameter D (valid for all types)				
power P (mW)	maximum temperature raise without dust layer (K)		maximum temperature raise with dust layer according to EPL Da (K)	
	D = 3 ... 5 mm	D = 6 ... 8 mm	D = 3 ... 5 mm	D = 6 ... 8 mm
	10	2	1	2
25	4	2	5	3
50	8	4	10	5
100	15	7	21	11
200	30	14	39	21
300	43	20	57	31
500	68	32	92	51
650	84	40	118	67
750	93	46	136	77
1000	115	60	179	102
1200	132	71	214	122
1500	159	88	267	152

In addition to the above table, the following values shall never be exceeded:

Types according to type of protection intrinsic safety (i):

GTF 101/102: $U_i = 30\text{ V}$, $I_i = 300\text{ mA}$, P_i according to the table above

GTF 111/112 gas: $U_i = 30\text{ V}$, $I_i = 300\text{ mA}$, P_i according to the table above

GTF 111/112 dust: $U_i = 30\text{ V}$, $I_i = 250\text{ mA}$, $P_i = 650\text{ mW}$ or below according to the table above

GTF 103 with measuring transducer: $U_i = 30\text{ V}$, $I_i = 100\text{ mA}$, $P_i = 760\text{ mW}$

GTF 103 without measuring transducer: $U_i = 30\text{ V}$, $I_i = 300\text{ mA}$, P_i according to the table above

All other types: $U = 4\text{ V}$, $I = 10\text{ mA}$



EU - Type Examination Certificate EPS 16 ATEX 1 005 X

Revision 4

The marking of the equipment shall include the following

All types:

Additional for GTF 101-Ex-... / GTF 102-Ex-...

II 1G Ex ia IIC T6...T1 Ga
II 1D Ex ia IIIC T₂₀₀80°C Da

II 2G Ex eb mb IIC T6 Gb
II 2D Ex mb IIIC T80°C Db

II 1/2G Ex ia IIC T6...T1 Ga/Gb
II 1/2D Ex ia IIIC T₂₀₀80°C Da/Db

Additional for GTF 103-Ex-...

II 2G Ex ia IIC T6...T1 Gb
II 2D Ex ia IIIC T80°C Db

II 2G Ex eb IIC T6 Gb
II 2D Ex tb IIIC T80°C Db

- (16) Reference number: 15TH0210
- (17) Special conditions for safe use:

To determine the temperature class, maximum surface temperature and ambient temperature range, refer to the operating instructions.

Maximum ambient temperature range:

type	temperature class / max. surface temperature	EPL	
		Ga / Da	Gb / Gc / Db / Dc
GTF 101/102 GTF 111/112	T6 T80°C	-20 °C ... + 60 °C	-20 °C ... +60 °C
	T5...T1 T100°C and above	-20 °C ... + 60 °C	-20 °C ... +80 °C (ex-i) -20 °C ... + 60 °C (other)
GTF 103 (4...20 mA output)	T6 T80°C	-20 °C ... + 40 °C	-20 °C ... + 40 °C
	T5...T1 T100°C and above	-20 °C ... + 40 °C	-20 °C ... + 50 °C
GTF 103 (other types)	T6 T80°C	-20 °C ... + 60 °C	-20 °C ... + 60 °C
	T5...T1 T100°C and above	-20 °C ... + 60 °C	-20 °C ... + 80 °C (ex-i) -20 °C ... + 60 °C (other)

The maximum short-circuit current of the increased safety variants shall be protected in an appropriate manner: 500 mA (for Pt100, Pt1000), 100 mA (for TC type K). See user manual too.

The temperature sensor shall only be connected to power supplies / controllers which are designed and approved for the operation of passive resistance sensors. The power supplies / controllers shall provide a low safety- or protection voltage. The power supplies / controllers shall have a, the method of connection of the thermometer corresponding port. The electrical characteristics and the associated standard for the thermometer shall be observed.



EU - Type Examination Certificate EPS 16 ATEX 1 005 X

Revision 4

(18) Essential health and safety requirements:

Met by compliance with standards.



Certification department of explosion protection

Ulrich Feike

Tuerkheim, 2023-01-13

CERTIFIED